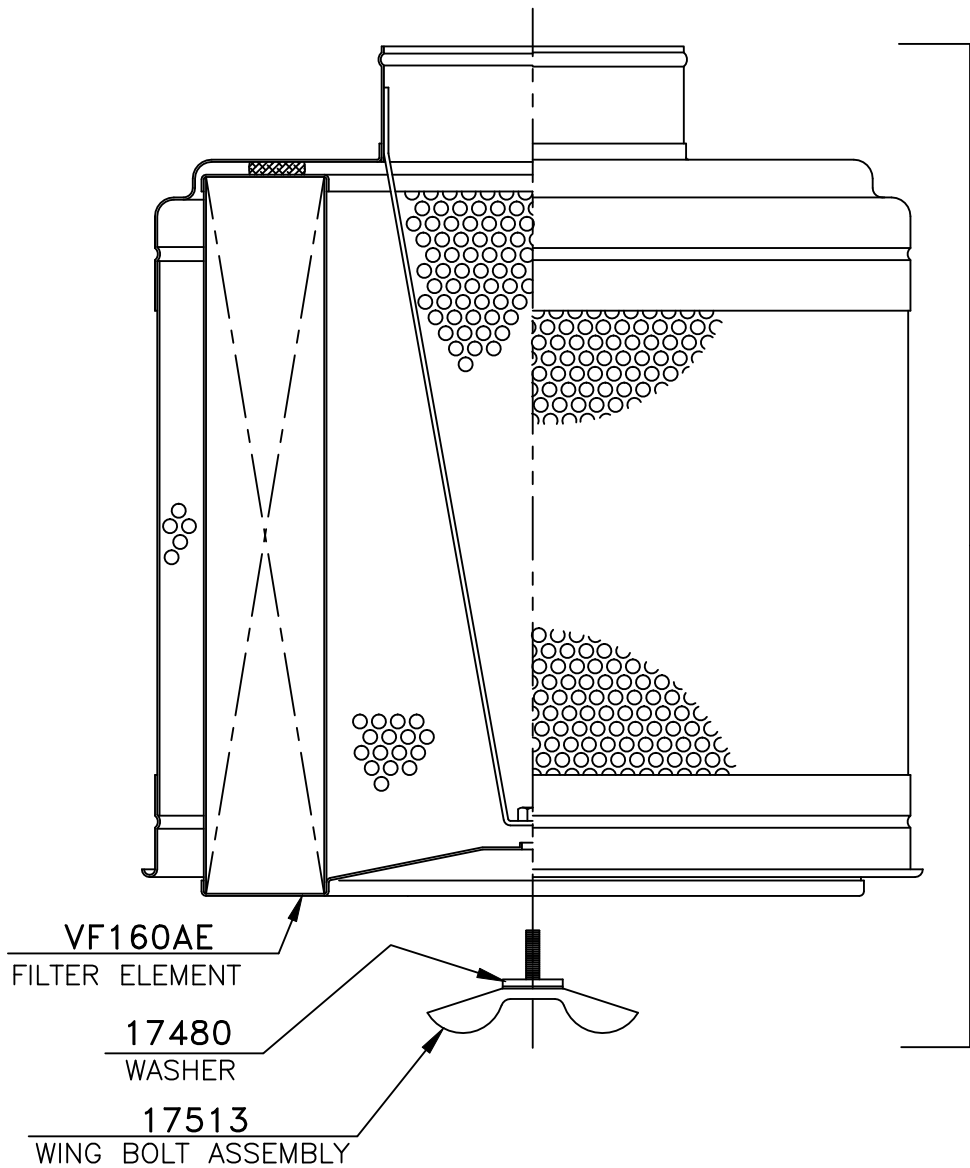


# SERVICE PARTS LIST CENTRIFAIR DRY AIR CLEANER

MODEL NO. <b>AN135Z</b>
3/16/87



**17917**  
BODY ASSEMBLY

PART NO.	PART NAME	NO. REQ.
17917	BODY ASSEMBLY	1
VF160AE	FILTER ELEMENT	1
17513	WING BOLT ASSEMBLY	1
17480	WASHER	1
17917	BODY ASSEMBLY, less wing bolt, washer and filter element.	1

VORTEX AIR TECHNOLOGY, INC.  
CLAREMONT, CALIFORNIA

**AN135Z**