

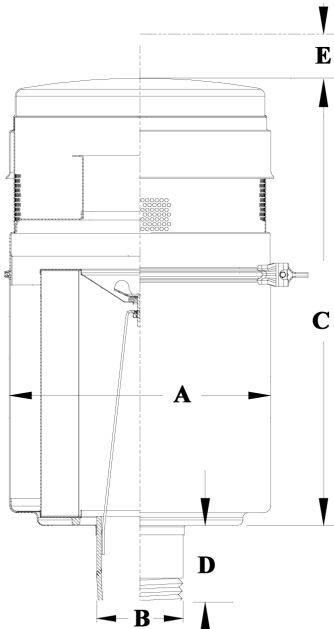
Direct Mount Air Cleaners



Vortex Air Technology, Inc.'s newest addition to our line of Truck Blower Air Cleaners offers the option of directly mounting the air cleaner to the blower with either 3" or 4" piping.

Direct Mount air cleaners are pressure only use and made with Electro Galvanized Carbon Steel, which is finished in a black polyester powder coat. Included with each air cleaner are two (2) mounting brackets in the same finish. Additionally, a washable internal foam precleaner, which reduces blower noise, comes standard with each Vortex Air Technology Truck Blower Air Cleaner. Filter servicing is achieved in three easy steps: removing the band clamp, lifting the top off, and removing the filter element.

Truck Blower Air Cleaners - Direct Mount



Model No.	m ³ /h at		A	B	C	D	E	Element No.	Net WT. KGS
	.002 Mpa H ₂ O	.003 Mpa H ₂ O	(mm.)	(mm.)	(mm.)	(mm.)	(mm.)		
AN135AW	722	832	343.15	88.90	594.61	101.60	97.79	VF140Z	20.41
AN135AX	1121	1402	343.15	114.30	594.61	101.60	97.79	VF140Z	20.41