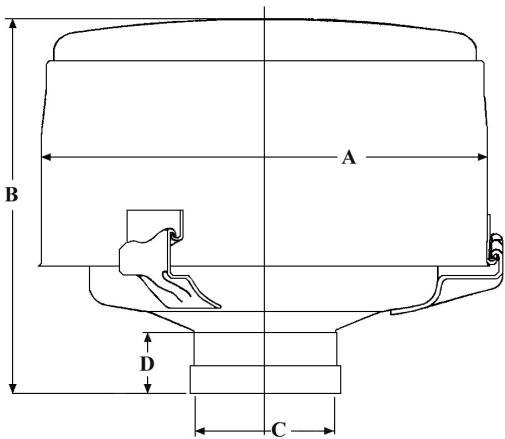


Precleaners



Used most often in extremely dusty environments such as the mining, desert, and logging industries, Precleaners help reduce the dust load and extend periods between servicing by lengthening the life of filter elements. Precleaners attach to an air cleaner's inlet tube and act as a centrifugal type air cleaner by removing the large particles and greater portion of dust from the air cleaner's intake air. Vortox Air Technology's Precleaners feature no gaskets or air seals, which can be broken, and always provide the maximum dust removal efficiency. All Vortox Air Technology Precleaners are entirely fabricated of Electro Galvanized coated Carbon Steel and finished with a black baked polyester powder coat to maintain peak performance and durability for years. Current diameter sizes are 6", 8", 9.5", and 12" with inlet sizes ranging from 2" to 6". Tube lengths can be modified upon request.

Precleaners



Model No.	m ³ /h at .002 MPa H ₂ O	A (mm.)	B (mm.)	C (mm.)	D (mm.)	Net Wt. KG
P60C	168	153.92	128.52	51.05	26.16	0.91
P60D	186	153.92	128.52	57.40	26.92	0.91
P80B	314	203.20	129.97	63.75	26.92	1.59
P80D	399	203.20	172.97	76.71	28.70	1.59
P80F	433	203.20	172.97	89.41	33.27	1.59
P80G	450	203.20	172.97	95.50	36.58	1.59
P80H	467	203.20	172.97	102.11	36.58	1.59
P95D	509	241.55	215.90	89.41	33.53	2.27
P95F	577	241.55	215.90	102.11	36.58	2.27
P95G	611	241.55	215.90	114.81	44.45	2.27
P95H	645	241.55	215.90	127.51	42.16	2.27
P120C	832	306.32	269.75	102.11	36.58	4.08
P120E	934	306.32	263.65	127.51	42.16	4.08
P120F	985	306.32	260.35	140.21	41.15	4.08
P120S	934	306.32	327.15	127	101.60	4.35
P120G	1060	306.32	260.35	153.16	48.51	4.35