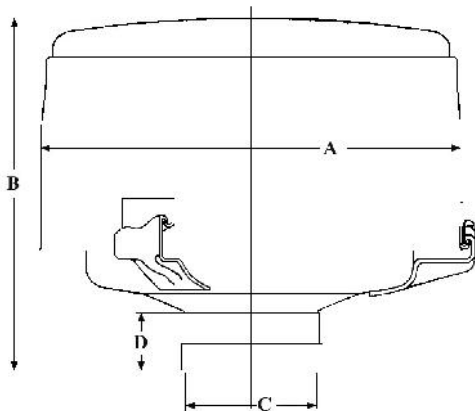


Precleaners



Used most often in extremely dusty environments such as the mining, desert, and logging industries; Precleaners help reduce the dust load and extend periods between servicing by lengthening the life of filter elements. Precleaners attach to an air cleaner's inlet tube and act as a centrifugal type air cleaner by removing the large particles and greater portion of dust from the air cleaner's intake air. Vortox Air Technology's Precleaners feature no gaskets or air seals, which can be broken, and always provide the maximum dust removal efficiency. All Vortox Air Technology Precleaners are entirely fabricated of Electro Galvanized coated Carbon Steel and finished with a black baked polyester powder coat to maintain peak performance and durability for years.

Precleaners



Model No.	CFM 8" H ₂ O	A (In.)	B (In.)	C (In.)	D (In.)	Net Wt. LBS
P60C	99	6.06 ID	5.06	2.01 ID	1.03	2.00
P60D	110	6.06 ID	5.06	2.26 ID	1.06	2.00
P80B	185	8.00 OD	6.81	2.51 ID	1.06	3.50
P80D	235	8.00 OD	6.81	3.02 ID	1.13	3.50
P80F	255	8.00 OD	6.81	3.52 ID	1.31	3.50
P80G	265	8.00 OD	6.81	3.76 ID	1.44	3.50
P80H	275	8.00 OD	6.81	4.02 ID	1.44	3.50
P95D	300	9.51 ID	8.50	3.52 ID	1.32	5.00
P95F	340	9.51 OD	8.50	4.02 ID	1.44	5.00
P95G	360	9.51 OD	8.50	4.52 ID	1.75	5.00
P95H	380	9.51 OD	8.50	5.02 ID	1.66	5.00
P120C	490	12.06 OD	10.62	4.02 ID	1.44	9.00
P120E	550	12.06 OD	10.38	5.02 ID	1.66	9.00
P120F	580	12.06 OD	10.25	5.52 ID	1.62	9.00
P120S*	550	12.06 OD	12.88	5.00 OD	4.00	9.60
P120G	624	12.06 OD	10.25	6.03 ID	1.91	9.60

* Model includes mounting brackets