

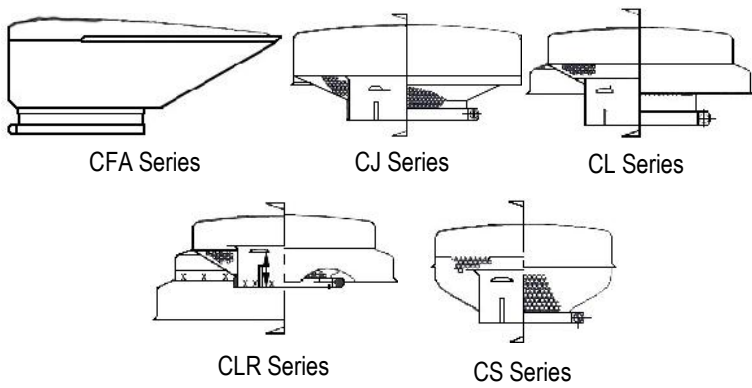
# CW Inlet Caps

The CW series measures approximately 13.5" in diameter, has a unique valve plate design, and is capable of either inside or outside intake air. Engineered for cold weather operation, a rubber hose is placed under the hood of the truck that connects the intake air of the Inlet Cap mounted to the Air Cleaner. In cold climates, the valve is closed, which restricts the cold ambient air, and instead uses the warmer air produced by the engine. Select models are available in Stainless Steel and can be identified by the prefix "SSB."



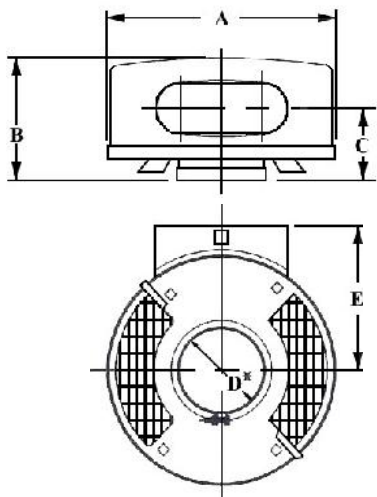
Vortox Air Technology Inlet Caps

Also Available:



Inlet Caps are an essential component in the protection of filter elements used in both dry and oil bath air cleaners. They function as a pre-filtering mechanism for the air cleaner, preventing large particles of debris from potentially harming the air cleaner and filter element in addition to shielding water ingress.

## Inlet Caps - CW Series: Inside/Outside Cap



Model No.	A (In.)	B (In.)	C (In.)	D (In.)	E (In.)	Net Wt. LBS
CW13555	13.62	7.30	4.31	5.50	8.50	8.40
CW13560	13.62	7.30	4.31	6.00	8.50	8.40
SSB-CW13560	13.62	7.30	4.31	6.00	8.50	8.40
CW13570	13.62	7.30	4.31	7.00	8.50	8.40
SSB-CW13570	13.62	7.30	4.31	7.00	8.50	8.40
SSB-CW13570A	13.62	7.30	4.31	7.00	8.50	8.40

**SSB = Polished Stainless Steel**