

CS Inlet Caps

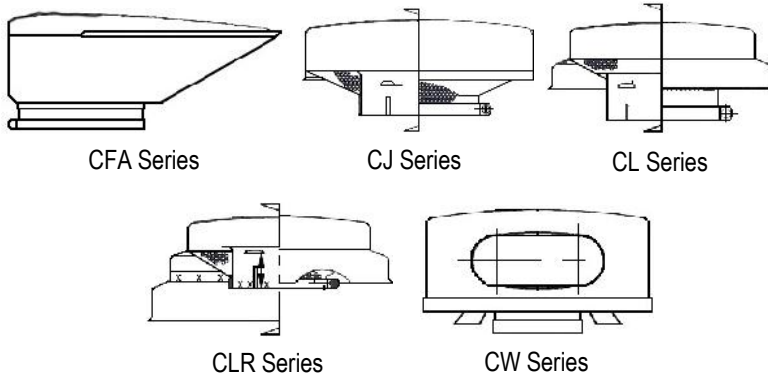


The CS series represents the original design of our line of Inlet Caps, which has evolved into the universal design and fit that customers seek. The CS style maintains a high standard of water protection while offering our most economical option. Select models are available in Stainless Steel and can be identified by the prefix “SSB.”

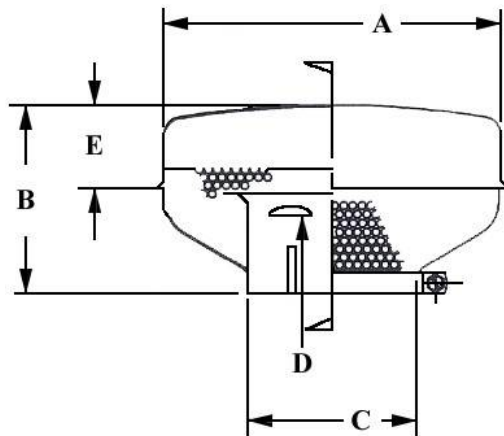
Vortex Air Technology Inlet Caps

Inlet Caps are an essential component in the protection of filter elements used in both dry and oil bath air cleaners. They function as a pre-filtering mechanism for the air cleaner, preventing large particles of debris from potentially harming the air cleaner and filter element in addition to shielding water ingress.

Also Available:



Inlet Caps - CS Series



SSB = Polished Stainless Steel

| Model No. | A (In.) | B (In.) | C (In.) | D (In.) | E (In.) | Net Wt. LBS |
|-----------|---------|---------|---------|---------|---------|-------------|
| 6426 | 4.56 | 2.88 | 1.78 | 1.56 | 1.19 | 0.50 |
| 6427 | 4.56 | 2.81 | 2.03 | 1.44 | 1.19 | 0.50 |
| 6428 | 5.56 | 3.25 | 2.26 | 1.81 | 1.31 | 0.70 |
| 6429 | 5.56 | 3.19 | 2.51 | 1.75 | 1.31 | 0.70 |
| CS256 | 5.56 | 3.19 | 2.58 | 1.75 | 1.31 | 0.70 |
| CS300 | 7.00 | 4.31 | 3.02 | 1.38 | 2.00 | 1.20 |
| CS350 | 7.00 | 4.19 | 3.52 | 1.88 | 2.00 | 1.20 |
| CS400 | 8.06 | 4.50 | 4.02 | 1.88 | 2.06 | 1.70 |
| CS450 | 9.56 | 4.81 | 4.52 | 1.88 | 2.50 | 2.00 |
| CS500 | 9.56 | 4.81 | 5.03 | 1.88 | 2.50 | 2.20 |
| CS550 | 12.06 | 4.75 | 5.53 | 1.88 | 2.00 | 4.00 |
| CS600 | 12.06 | 5.75 | 6.03 | 1.88 | 3.00 | 3.60 |
| SSB-CS600 | 12.06 | 5.75 | 6.03 | 1.88 | 3.00 | 3.60 |
| CS700 | 13.56 | 5.50 | 7.07 | 1.88 | 2.50 | 4.10 |
| SSB-CS700 | 13.56 | 5.50 | 7.07 | 1.88 | 2.50 | 4.10 |
| 11206 | 12.06 | 6.00 | 7.07 | 1.88 | 3.00 | 3.80 |
| SSB-11206 | 12.06 | 6.00 | 7.07 | 1.88 | 3.00 | 3.80 |