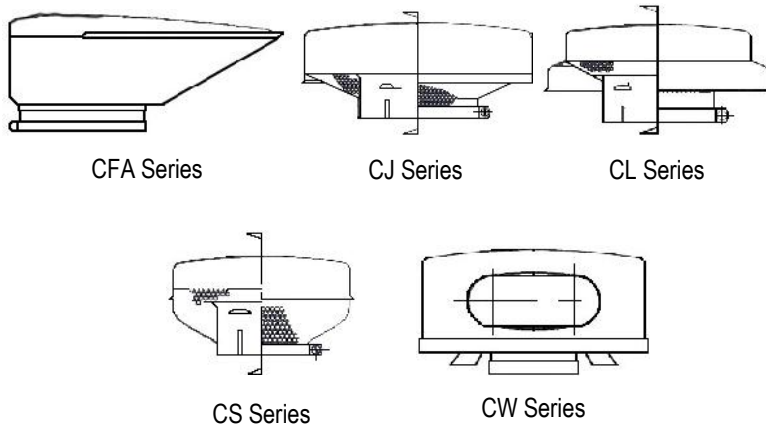


CLR Inlet Caps



The CLR series are identical to the CL style with the addition of a 180° rain shield. The rain shield, located at the front of the Inlet Cap, provides added protection from moisture, making it the most efficient Inlet Cap. Select models are available in Stainless Steel and are indicated by the prefix “SSB.”

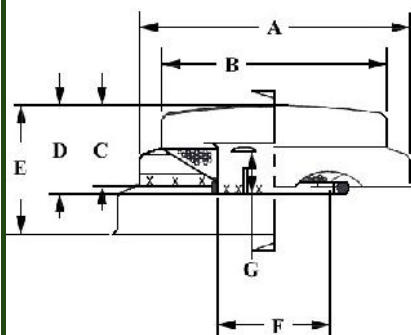
Also Available:



Vortex Air Technology Inlet Caps

Inlet Caps are an essential component in the protection of filter elements used in both dry and oil bath air cleaners. They function as a pre-filtering mechanism for the air cleaner, preventing large particles of debris from potentially harming the air cleaner and filter element in addition to shielding water ingress.

Inlet Caps - CLR Series



SSB = Polished Stainless Steel

Model No.	A (In.)	B (In.)	C (In.)	D (In.)	E (In.)	F (In.)	G (In.)	Net Wt. LBS
CLR12050	12.06	10.06	3.62	3.94	5.75	5.03	1.88	3.50
CLR14050	14.06	12.06	3.75	4.69	6.50	5.03	1.88	5.10
CLR14060	14.06	12.06	3.75	5.00	6.50	6.03	1.88	5.30
SSB-CLR14060	14.06	12.06	3.75	5.00	6.50	6.03	1.88	5.30
SSB-CLR14070A	14.06	12.06	3.75	5.19	6.50	7.00	1.88	5.00
SSB-CLR14070B*	14.06	12.06	3.75	5.72	6.50	7.00	1.88	5.00
CLR16055	16.06	13.56	4.25	5.38	6.81	5.53	1.88	6.75
CLR16060	16.06	13.56	4.25	5.12	6.81	6.03	1.88	6.20
SSB-CLR16060	16.06	13.56	4.25	5.12	6.81	6.03	1.88	6.20
CLR16070	16.06	13.56	4.25	4.88	6.81	7.04	1.88	6.20
SSB-CLR16070	16.06	13.56	4.25	4.88	6.81	7.04	1.88	6.20
CLR16080	16.06	13.56	4.25	5.75	6.81	8.03	1.88	6.40

* Offset Inlet Tube