

CL Inlet Caps

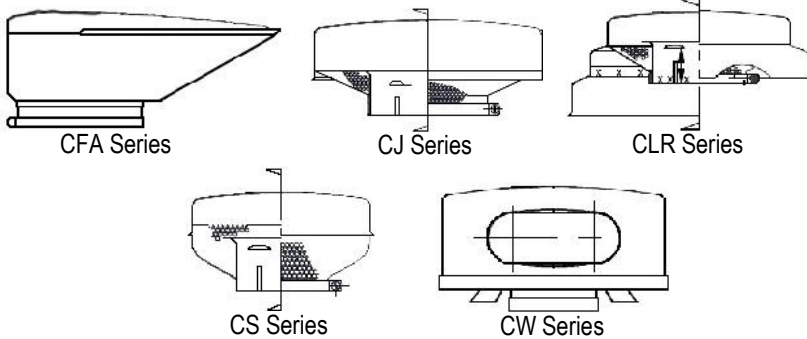
The CL series are a rain type Inlet Cap, which is to be used at low velocity and creates low restriction. Comparable to the CS style in universal design, the CL series provides more protection from water intake. Select CL models are available in Stainless Steel and are identified by the prefix "SSB."

Vortex Air Technology Inlet Caps

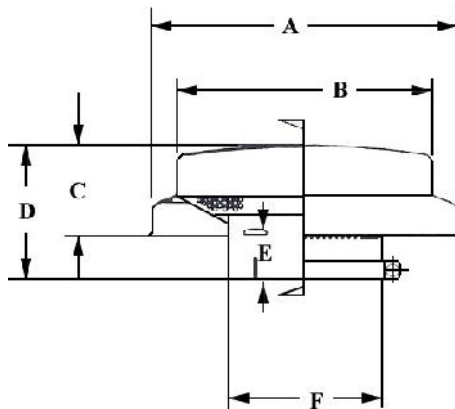
Inlet Caps are an essential component in the protection of filter elements used in both dry and oil bath air cleaners. They function as a pre-filtering mechanism for the air cleaner, preventing large particles of debris from potentially harming the air cleaner and filter element in addition to shielding water ingress.



Also Available:



Inlet Caps - CL Series



SSB = Polished Stainless Steel

Model No.	A (mm.)	B (mm.)	C (mm.)	D (mm.)	E (mm.)	F (mm.)	Net Wt. KG
CL12040	306.32	255.52	91.95	107.19	47.75	102.11	1.27
CL12050	306.32	255.52	91.95	100.08	47.75	127.76	1.27
CL12060	306.32	239.78	91.95	136.65	47.75	153.16	1.27
CL14050	357.12	306.32	95.25	119.13	47.75	127.76	1.95
CL14055	357.12	306.32	95.25	119.13	47.75	140.46	1.95
CL14060	357.12	306.32	95.25	127.00	47.75	153.16	1.95
SSB-CL14060	357.12	306.32	95.25	127.00	47.75	153.46	1.95
SSB-CL14070A	357.12	306.32	95.25	131.83	47.75	177.80	2.27
CL16055	407.92	344.42	107.95	136.65	47.75	140.46	2.49
CL16060	407.92	344.42	107.95	130.05	47.75	153.16	2.49
SSB-CL16060	407.92	344.42	107.95	130.05	47.75	153.16	2.49
CL16070	407.92	344.42	107.95	123.95	47.75	178.82	2.49
SSB-CL16070	407.92	344.42	107.95	123.95	47.75	178.82	2.49
CL16080	407.92	344.42	107.95	146.05	47.75	203.96	2.49
CL18060	460.25	382.27	139.70	152.40	47.75	153.16	3.54
SSB-CL18060	460.25	382.27	139.70	152.40	47.75	153.16	3.54
CL18070	460.25	382.27	139.70	146.05	47.75	178.82	3.54
SSB-CL18070	460.25	382.27	139.70	146.05	47.75	178.82	3.54
CL18080	455.68	357.12	139.70	158.75	47.75	204.22	3.18
SSB-CL18080	455.68	357.12	139.70	158.75	47.75	204.22	3.18