

CJ Inlet Caps

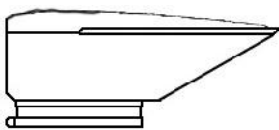
The CJ series follows a universal design and fits 7" and 8" inlet tubes. Unlike most other Inlet Caps, the CJ series has a horizontal screen rather than the more common tapered screen.



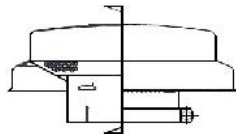
Vortex Air Technology Inlet Caps

Inlet Caps are an essential component in the protection of filter elements used in both dry and oil bath air cleaners. They function as a pre-filtering mechanism for the air cleaner, preventing large particles of debris from potentially harming the air cleaner and filter element in addition to shielding water ingress.

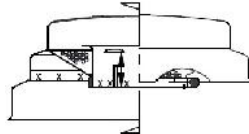
Also available:



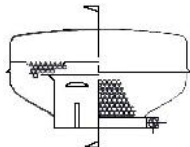
CFA Series



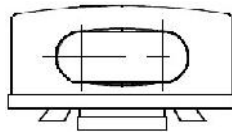
CL Series



CLR Series

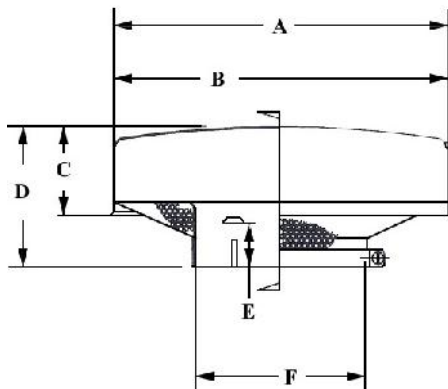


CS Series



CW Series

Inlet Caps - CJ Series



Model No.	A (mm.)	B (mm.)	C (mm.)	D (mm.)	E (mm.)	F (mm.)	Net Wt. KG
CJ700	382.52	376.17	101.60	158.75	47.75	178.82	2.13
CJ800	382.52	376.17	101.60	158.75	47.75	204.22	2.27
CJ800A	382.52	376.17	101.60	158.75	47.75	204.22	2.13