

# ABA Dry Air Cleaner

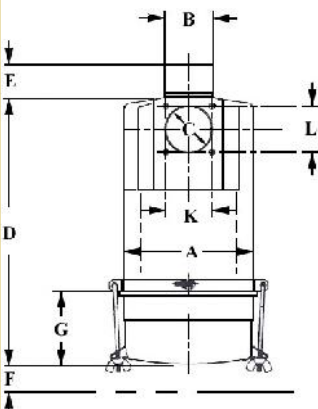
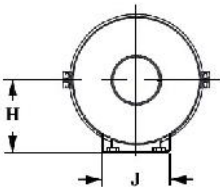


The ABA style Dry Air Cleaner is designed for vertically mounted applications where a horizontal (side) outlet mounting flange is required. The flange allows direct mounting of the air cleaner to an inlet system without additional mounting hardware. All ABA style air cleaners are multistage in design, which removes the heavier dust particles and forces them into the bottom cup due to the vortex motion that the spinning air creates. An internal disc design prevents backflow by keeping the dust captive in the cup. Most ABA styles are available with or without ejection valves. If an ejection valve is not used, manual cleaning of the cup is required. All ABA air cleaners are constructed of rigid and durable Electro Galvanized Carbon Steel and finished in a black powder coating.

### Vortex Air Technology Dry Air Cleaners

Vortex Air Technology Dry Air Cleaners are designed to protect your equipment and keep it performing to maximum efficiency. Superbly engineered and constructed to offer extended service life of each replaceable filter element by utilizing a design philosophy which minimizes restriction losses. Each air cleaner is constructed of rigid and durable Electro Galvanized coated Carbon Steel or T304 Stainless Steel. Finishes are available in black Powder Coat or No. 7 Polished finish. In addition to the distinguishing rugged construction, Vortex Air Technology air cleaners also utilize Deep Draw Technology, which creates a seamless unit, where possible.

## Dry Air Cleaners - ABA Series



Model No.	m <sup>3</sup> /h at		A (mm.)	B (mm.)	C (mm.)	D (mm.)	E (mm.)	F (mm.)	G (mm.)	H (mm.)	J (mm.)	K (mm.)	L (mm.)	Filter Element	Net Wt. KG
	.002 MPa H <sub>2</sub> O	.003 MPa H <sub>2</sub> O													
ABA80A	373	467	203.96	76.20	76.20	409.45	50.80	127.00	107.95	114.30	107.95	73.15	73.15	VF80A	5.89
ABA80A4*	373	467	203.20	76.20	76.20	409.45	50.80	127.00	107.95	114.30	107.95	73.15	73.15	1-VF80A	5.89
ABA100A	467	581	256.54	101.60	88.90	465.84	50.80	158.75	111.25	139.70	139.70	98.55	98.55	1-VF100A	8.61
ABA120A	628	781	307.34	127.00	88.90	491.24	50.80	171.45	120.65	165.10	139.70	98.30	98.30	1-VF120A	9.07
ABA140A	1129	1432	358.14	139.70	127.00	504.95	63.50	171.45	141.22	190.50	171.45	120.65	120.65	VF140A	14.30
ABA140A4*	1223	1495	358.14	139.70	127.00	504.95	63.50	171.45	141.22	190.50	171.45	120.65	120.65	1-VF140A	14.30
ABA160A	1665	2045	408.94	152.40	152.40	625.60	76.20	222.25	146.05	215.90	209.55	139.70	139.70	VF160	18.14
ABA160B	1393	1724	408.94	152.40	127.00	625.60	76.20	222.25	146.05	215.90	171.45	120.65	120.65	VF160A	18.14

\* Ejection Valve Included