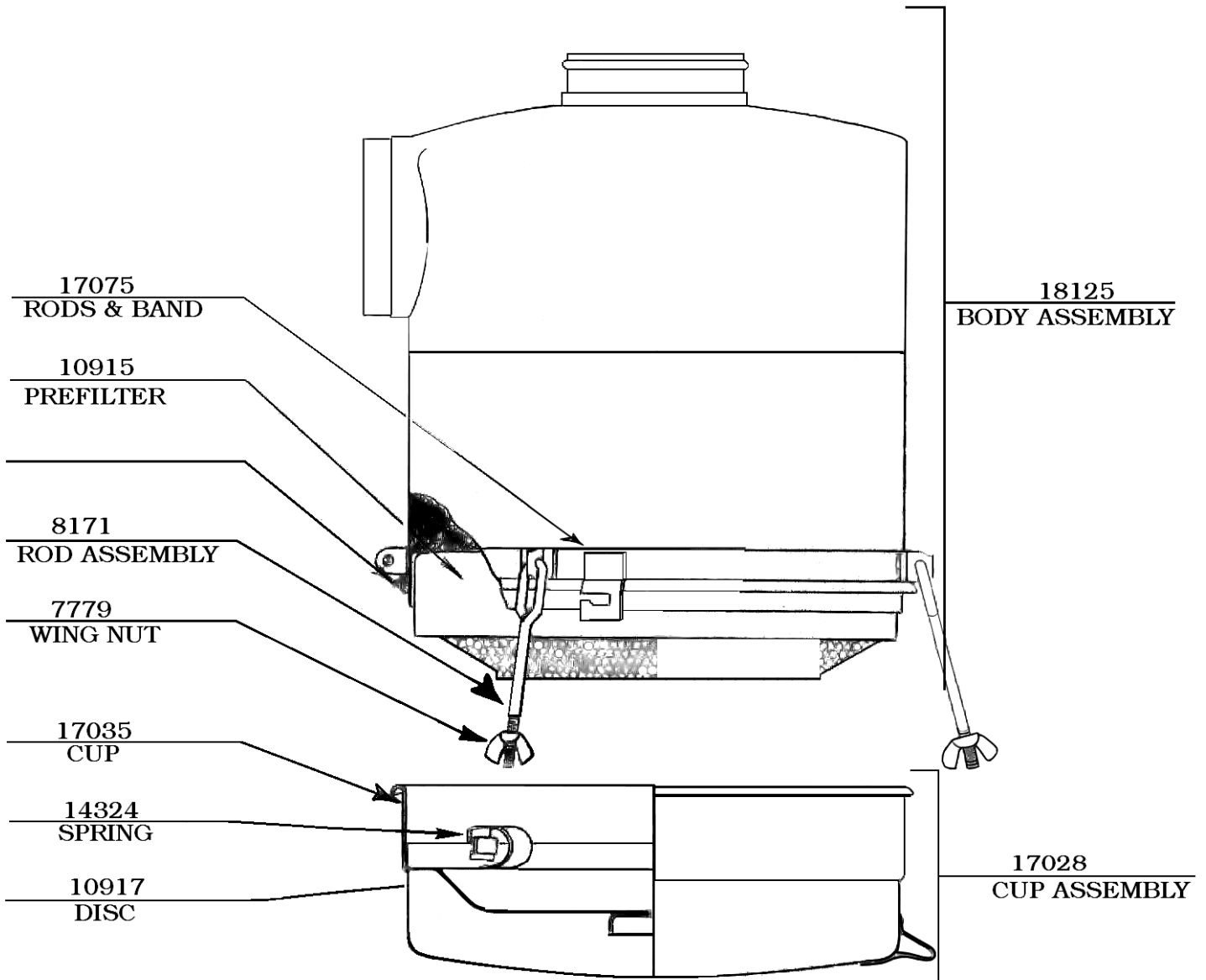


SERVICE PARTS LIST  
 VORTEX AIR CLEANER, MODEL G160BV2

G160BV2
8-30-74



Part No.	Part Name	No. Required	
18125	BODY ASSEMBLY	1	
17075	RODS & BAND	1	
8171	ROD ASSEMBLY	3	
7779	WING NUT	3	
10915	PREFILTER	1	
55K160	GASKET	1	
17028	CUP ASSEMBLY	1	
17035	CUP	1	
10917	DISC	1	
14324	SPRING	4	

VORTEX AIR TECHNOLOGY, INC.  
 CLAREMONT, CA

G160BV2