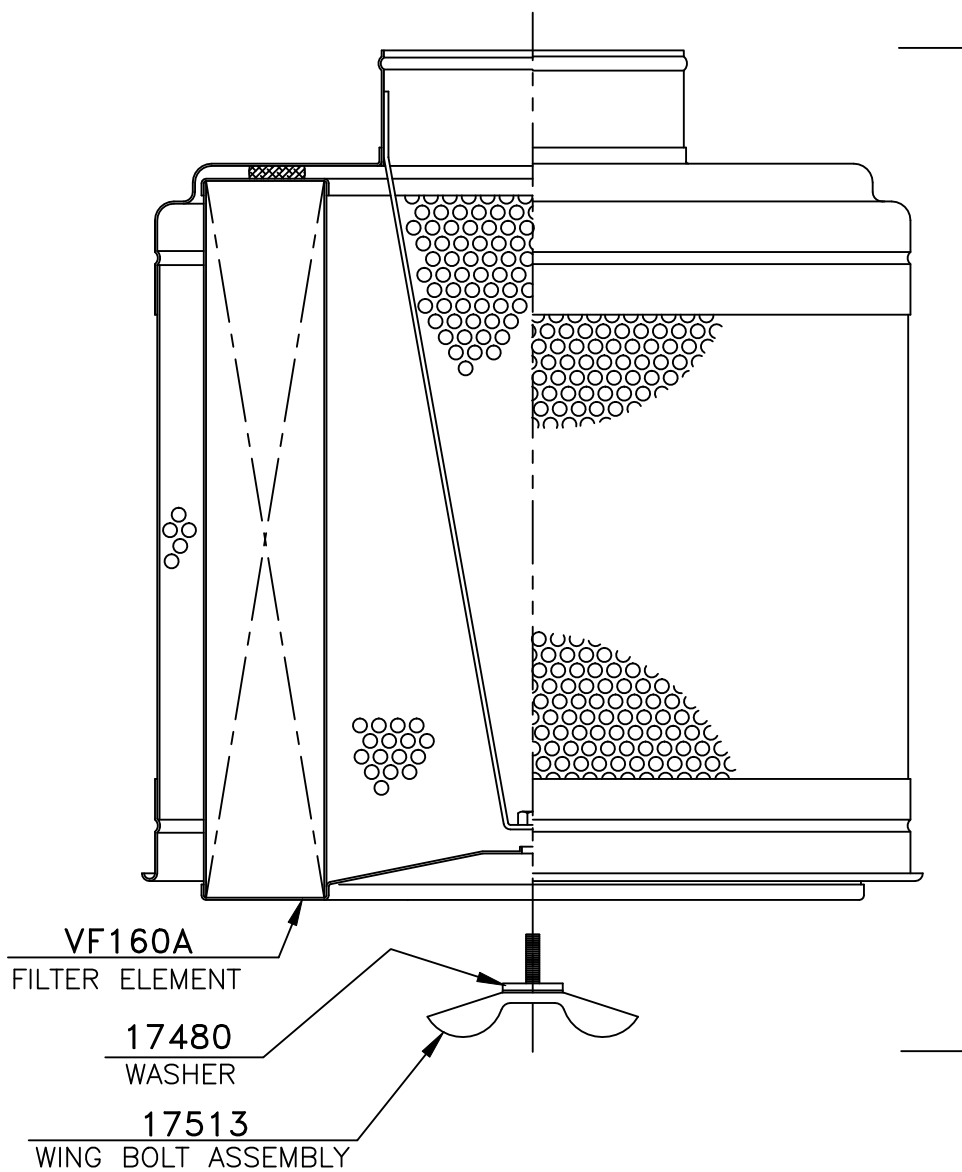


SERVICE PARTS LIST CENTRIFAIR DRY AIR CLEANER

MODEL NO. AN135C
4/26/77

REV:06/03/97



17917

BODY ASSEMBLY
(NO ELEMENT)

PART NO.	PART NAME	NO. REQ.
17917	BODY ASSEMBLY (no element)	1
VF160A	FILTER ELEMENT	1
17513	WING BOLT ASSEMBLY	1
17480	WASHER	1

VORTOX AIR TECHNOLOGY, INC.
CLAREMONT, CALIFORNIA

AN135C