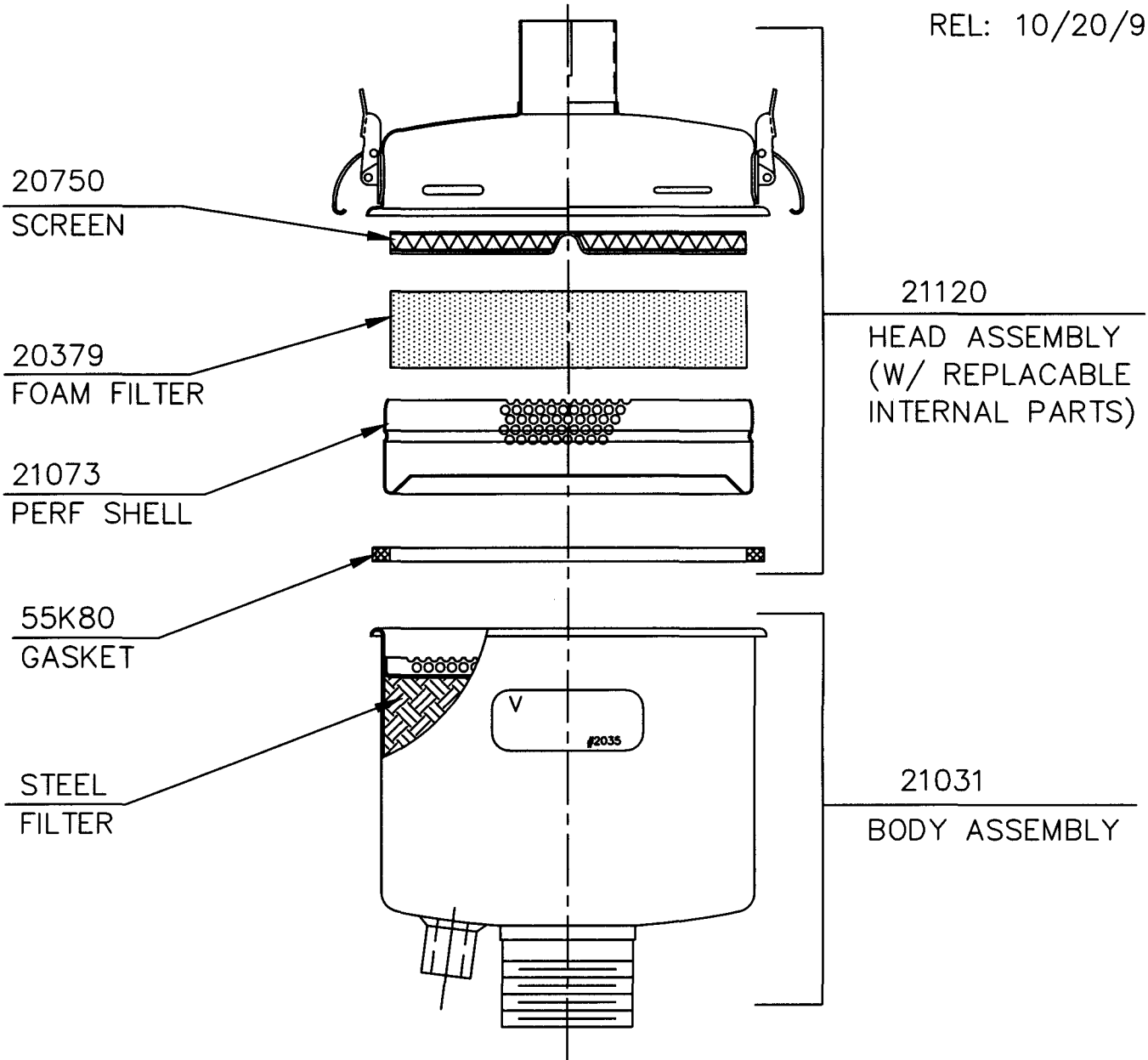


SERVICE PARTS LIST VORTEX SEPARATOR

MODEL NO.
WD80G3

REL: 10/20/94



PART NO.	DESCRIPTION	NO. REQ.
21120	HEAD ASSEMBLY	1
20750	SCREEN	1
20379	FOAM FILTER	1
21073	PERF SHELL	1
55K80	GASKET	1
21031	BODY ASSEMBLY	1

VORTEX AIR TECHNOLOGY, INC
CLAREMONT, CALIFORNIA

WD80G3

F:\USERS\AUTOCAD\DRAWINGS\SP\LW\WD80G3.DWG