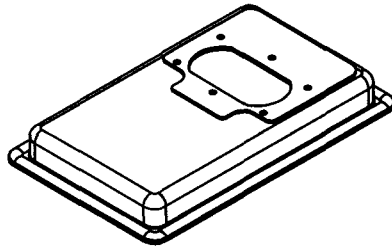


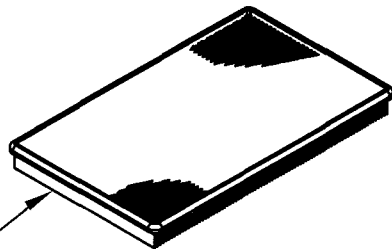
SERVICE PARTS LIST

VORTEX AIR CLEANER

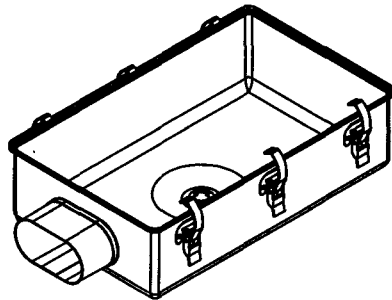
| |
|-------------------|
| MODEL NO. |
| AWA11X17A4 |
| REL: 12/19/08 |



★22289
HEAD ASSEMBLY



VFP11X17
FILTER ELEMENT
(PAPER)



★22290
BODY ASSEMBLY
(No Element)

| PART NO. | PART NAME | NO. REQ'D |
|----------|-----------------------------|-----------|
| ★ 22289 | HEAD ASSEMBLY | 1 |
| ★ 22290 | BODY ASSEMBLY (No Elements) | 1 |
| VFP11X17 | FILTER ELEMENT (PAPER) | 1 |
| | | |
| | | |
| | | |
| | | |

Vortex Air Technology
Claremont, Ca.

★ NOTE: AVAILABLE ONLY TUTHILL, INC.

AWA11X17A4