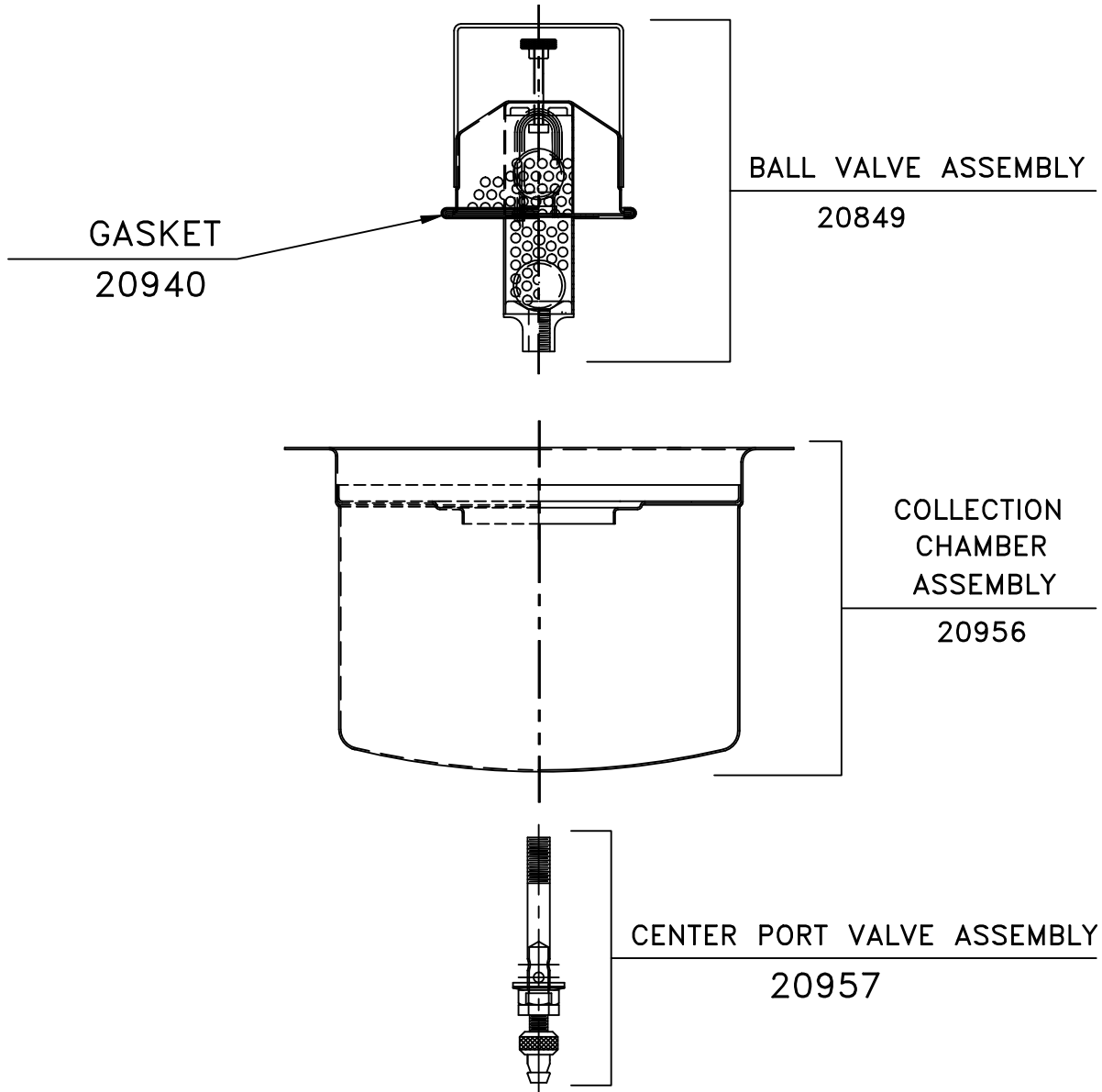


SERVICE PARTS LIST
 FLUID SAMPLER—TUBE UP
 TEFLON COATED

TFS8B
REL: 2/19/93



PART NO.	PART NAME	NO. REQ'D
20849	BALL VALVE ASSEMBLY	1
20940	GASKET	1
20957	CENTER PORT VALVE ASSEMBLY	1
20956	COLLECTION CHAMBER ASSEMBLY	1

VORTEX AIR TECHNOLOGY, INC.
 CLAREMONT, CALIFORNIA

TFS8B
