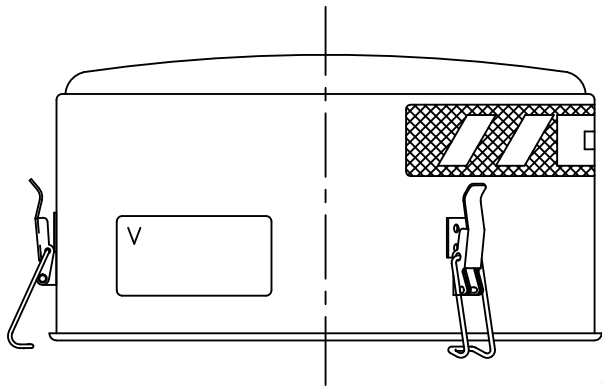


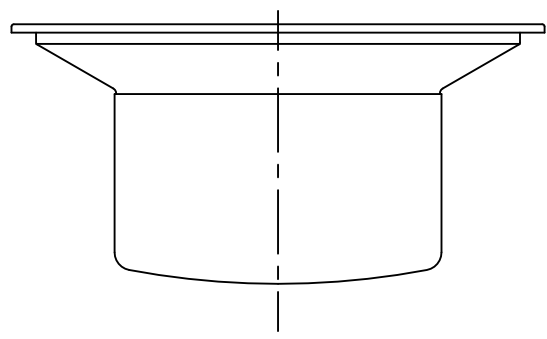
# SERVICE PARTS LIST

## VORTEX PRECLEANER

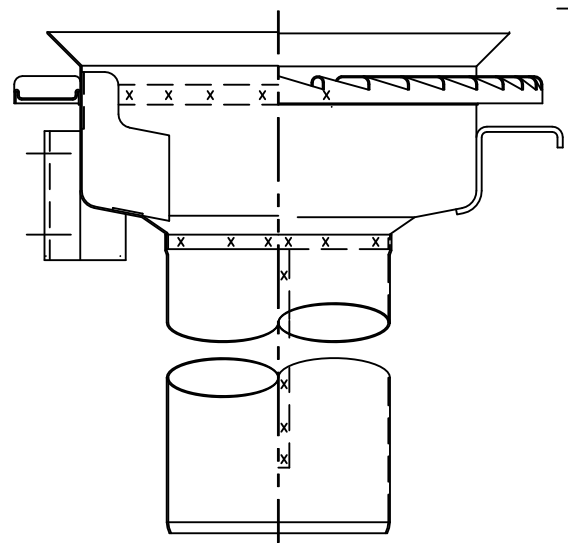
MODEL NO.
P120P
REL: 05/13/96
REV: 12/02/96



20720  
HEAD ASSEMBLY



11826  
CUP



21301  
BODY ASSEMBLY

PART NO.	PART NAME	NO. REQ'D
20720	HEAD ASSEMBLY (No Element)	1
11826	CUP	1
21301	BODY ASSEMBLY	1

VORTEX AIR TECHNOLOGY, INC.  
CLAREMONT, CALIFORNIA

P120P