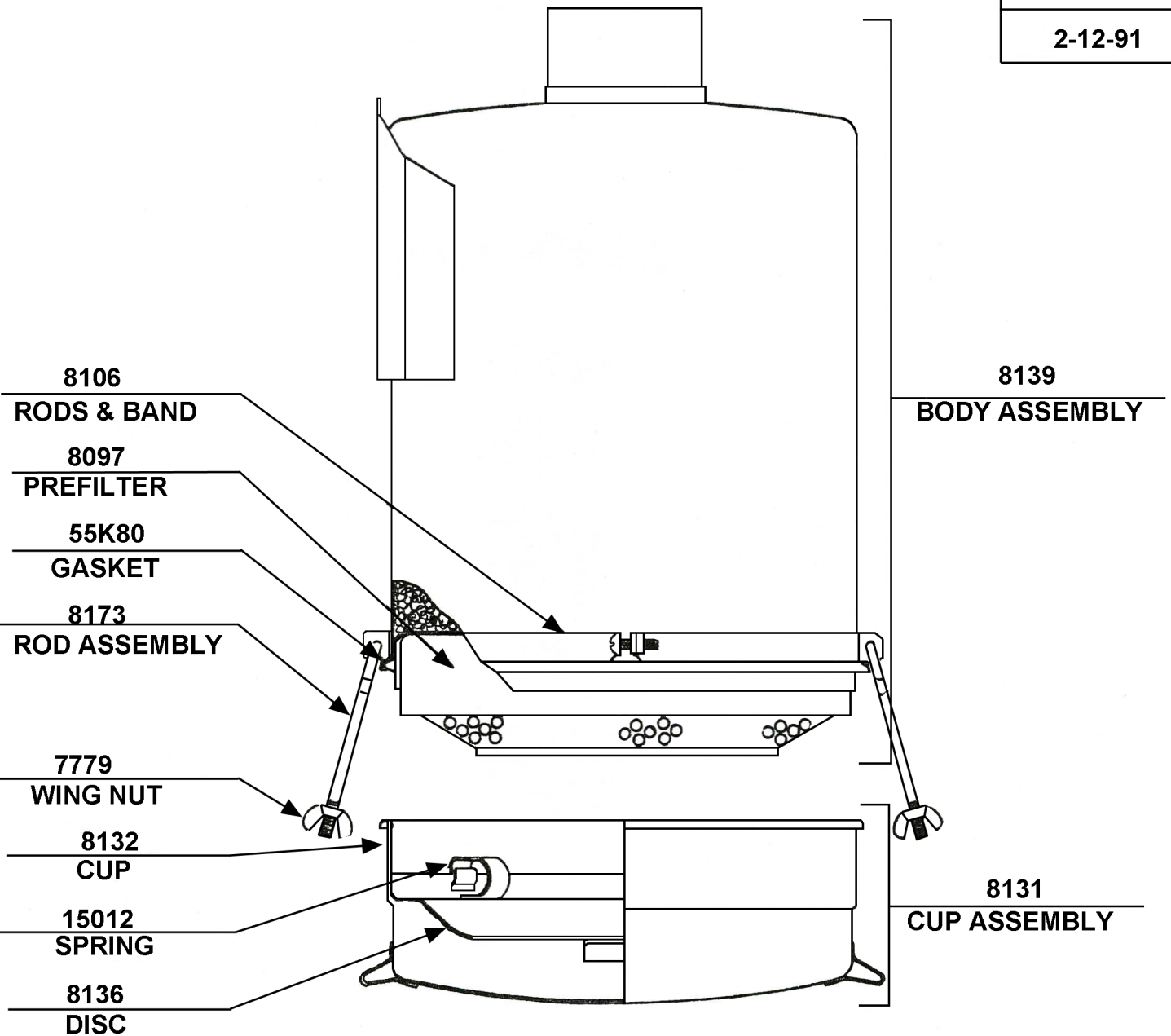


**SERVICE PARTS LIST  
VORTEX AIR TECHNOLOGY, INC.**

**GA 80**

2-12-91



PART NO.	NAME	NO. REQ.
8139	BODY ASSEMBLY	1
8106	RODS BAND	1
8173	ROD ASSEMBLY	2
7779	WING NUT	2
8097	PREFILTER	1
55K80	GASKET	1
8131	CUP ASSEMBLY	1
8132	CUP	1
8136	DISC	1
15012	SPRING	4

**VORTEX AIR TECHNOLOGY, INC.  
CLAREMONT, CA**

**GA80**