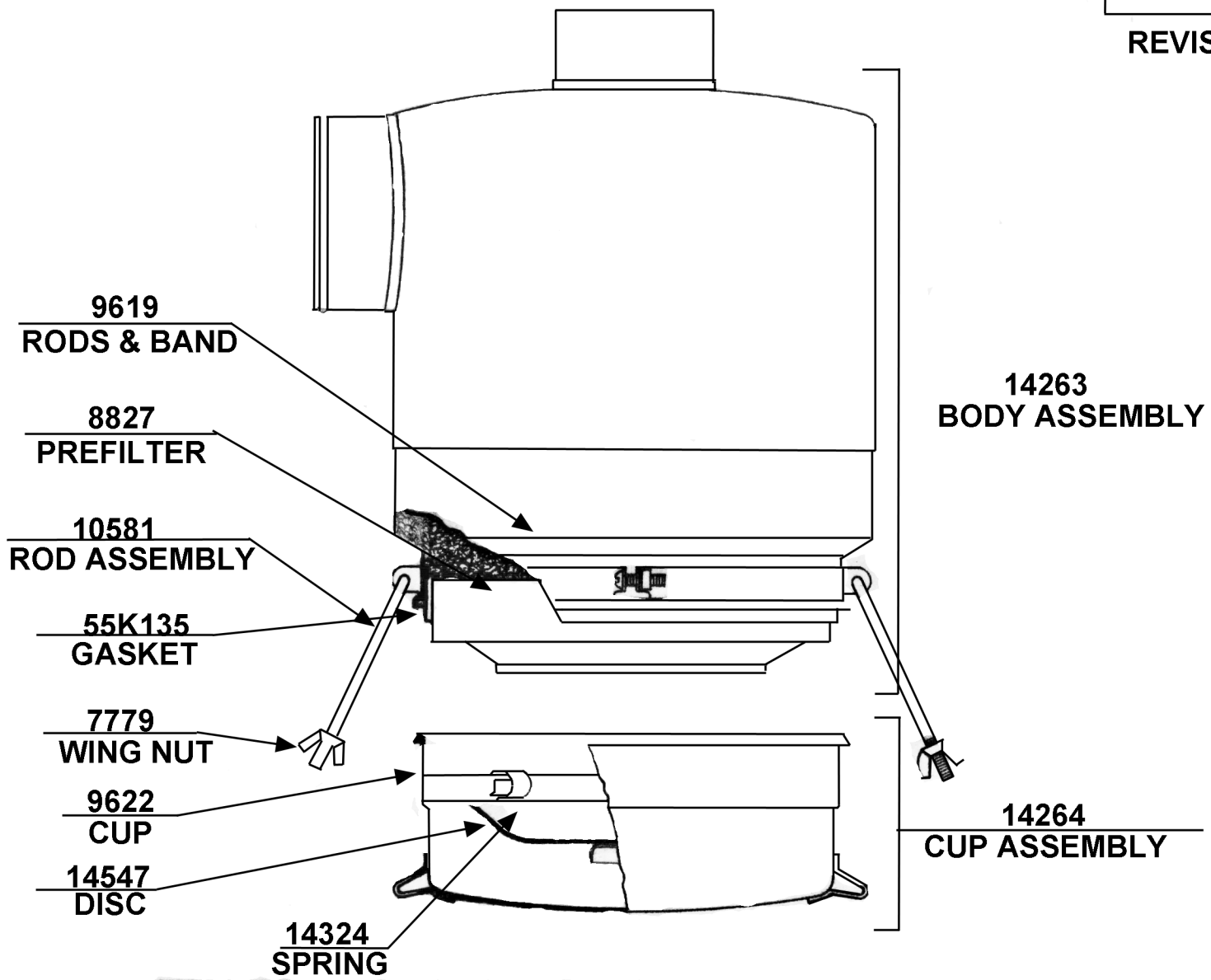


SERVICE PARTS LIST VORTEX AIR CLEANER, MODEL G150C2

G150C2
9-17-68

REVISED



Part No.	Part Name	No. Required	
14263	BODY ASSEMBLY	1	
9619	RODS & BAND	1	
10581	ROD ASSEMBLY	2	
676	WASHER, FORMED	2	
7779	WING NUT	2	
18853 8527	PREFILTER	1	
55K135	GASKET	1	
14264	CUP ASSEMBLY	1	
9622	CUP	1	
14547	DISC	1	
14324	SPRING	4	

VORTEX AIR TECHNOLOGY, INC.
CLAREMONT, CA

F-1504

G150C2