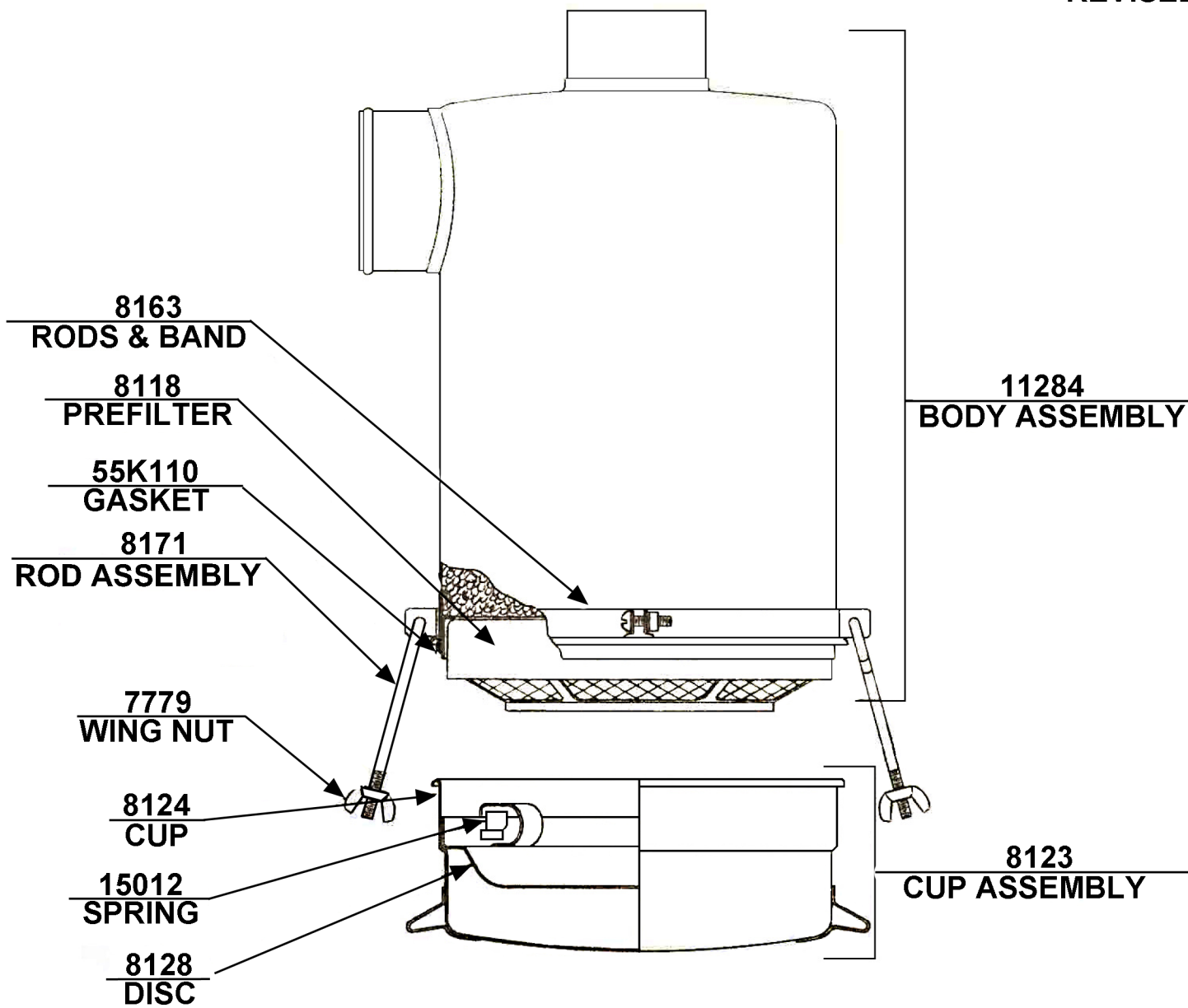


# SERVICE PARTS LIST VORTEX AIR CLEANER MODEL G100AQ2

G100AQ2

12-6-73

REVISED



PART NO.	NAME	NO. REQ.
11284	BODY ASSEMBLY	1
8163	RODS & BAND	1
8171	ROD ASSEMBLY	2
		2
7779	WING NUT	1
8118	PREFILTER	1
55K110	GASKET	1
8123	CUP ASSEMBLY	1
8124	CUP	1
8128	DISC	1
15012	SPRING	4

**VORTEX AIR TECHNOLOGY, INC.  
CLAREMONT, CA**

**G100AQ2**