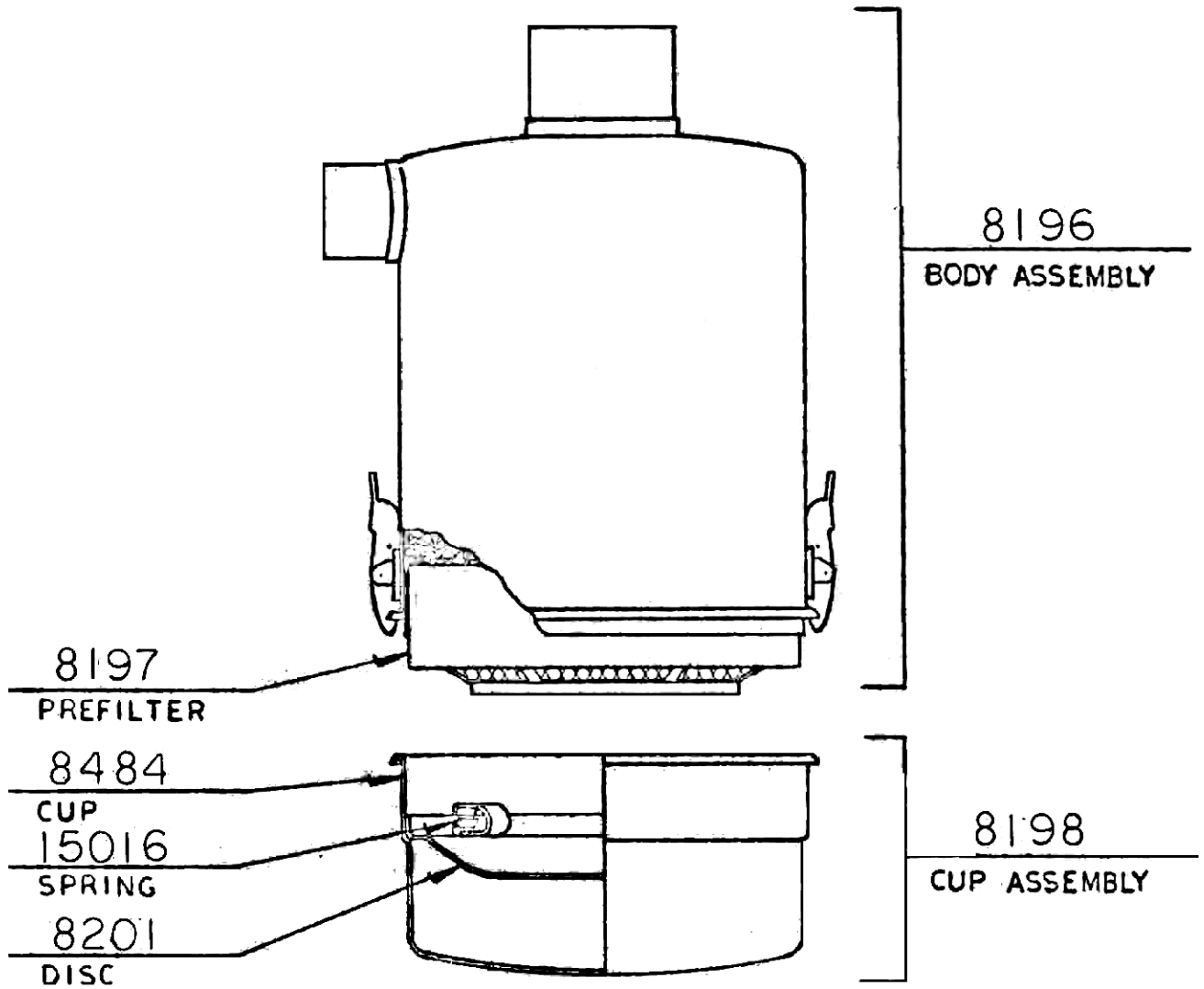


SERVICE PARTS LIST VORTEX AIR CLEANER

MODEL NO. G 65
19 FEB 80

REVISED



PART NO.	PART NAME	NO. REQ.
8196	BODY ASSEMBLY	1
8197	PREFILTER	1
8198	CUP ASSEMBLY	1
8484	CUP	1
8201	DISC	1
15016	SPRING	3

VORTEX AIR TECHNOLOGY, INC.
CLAREMONT, CA

G 65