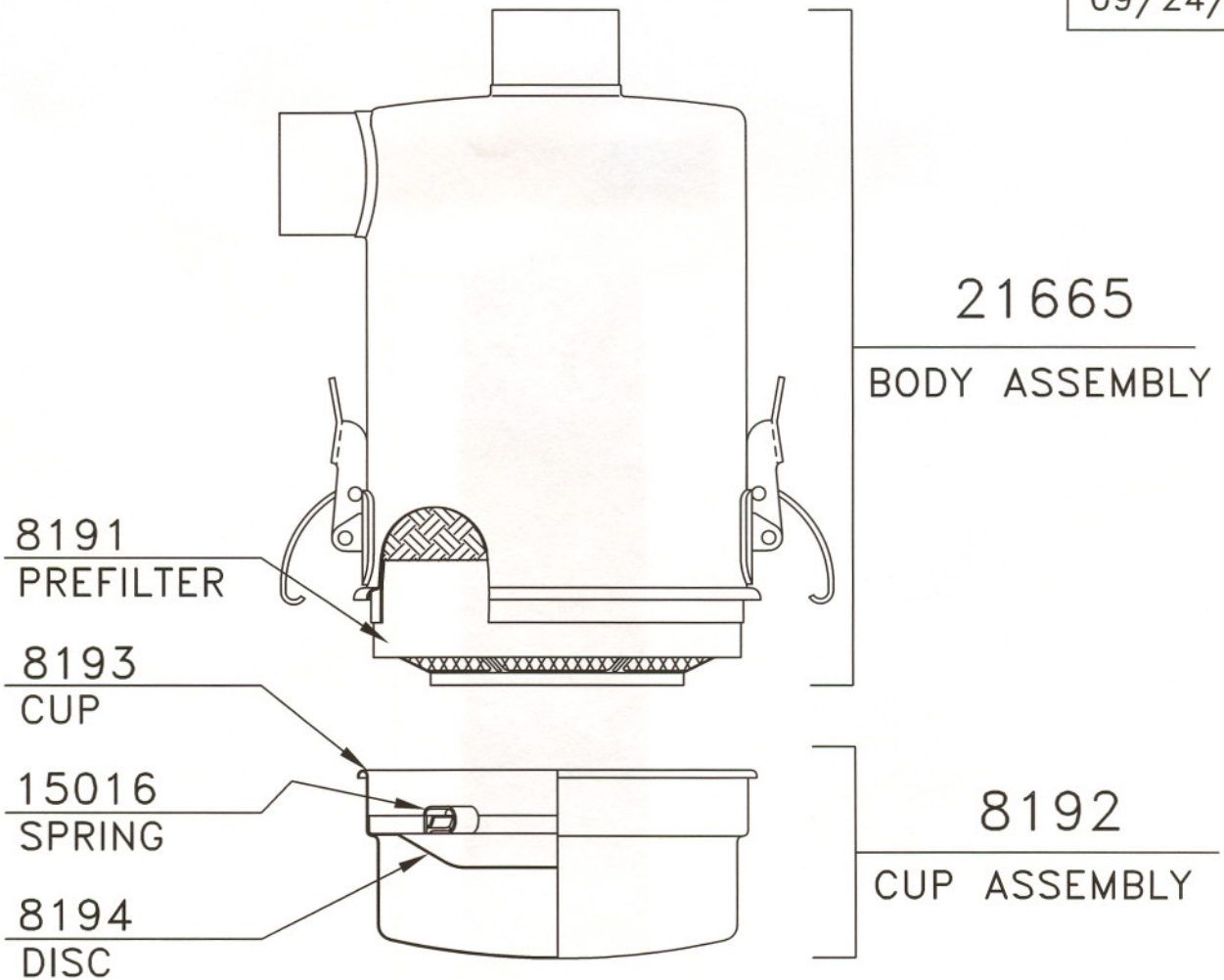


SERVICE PARTS LIST VORTEX AIR CLEANER

MODEL NO.
G55AT

REVISED
09/24/02



Date: 05/06/2008

PART NO.	PART NAME	NO. REQ.
21665	BODY ASSEMBLY	1
8191	PREFILTER	1
8192	CUP ASSEMBLY	1
8193	CUP	1
8194	DISC	1
15016	SPRING	3

VORTEX AIR TECHNOLOGY, INC. □
CLAREMONT, CALIFORNIA

G55AT