

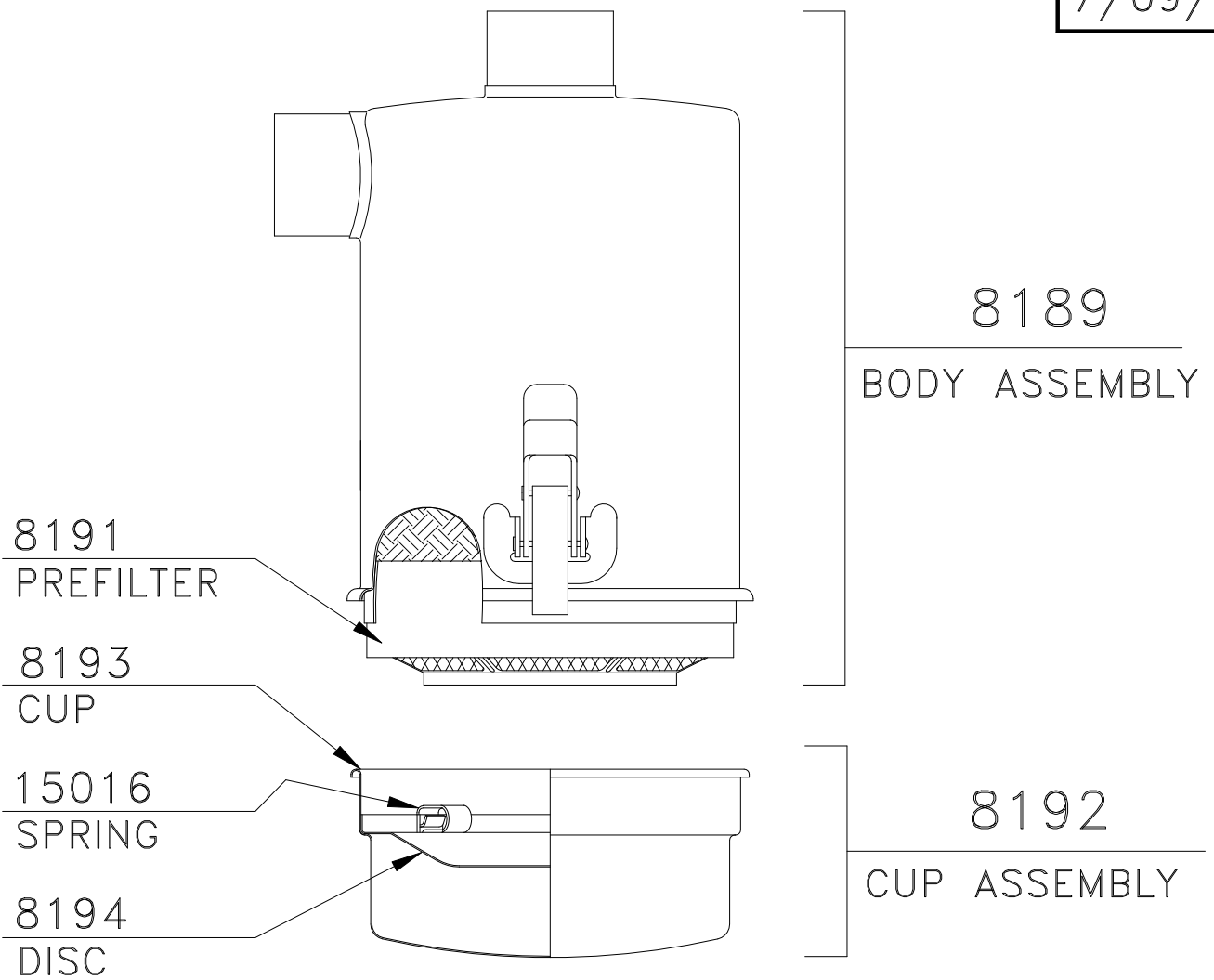
SERVICE PARTS LIST VORTEX AIR CLEANER

MODEL NO.

G55

REVISED

7/09/93



PART NO.	PART NAME	NO. REQ.
8189	BODY ASSEMBLY	1
8191	PREFILTER	1
8192	CUP ASSEMBLY	1
8193	CUP	1
8194	DISC	1
15016	SPRING	3

VORTEX AIR TECHNOLOGY, INC.
CLAREMONT, CALIFORNIA

G55