

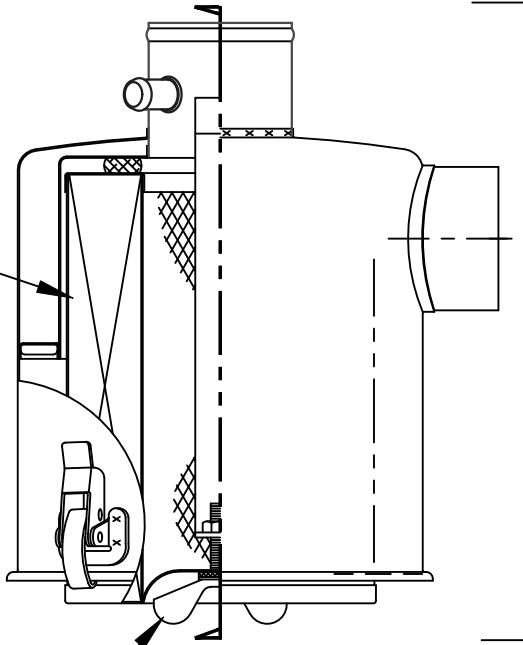
SERVICE PARTS LIST

VORTEX AIR CLEANER

MODEL NO.
AU80K4

REL:08/30/01

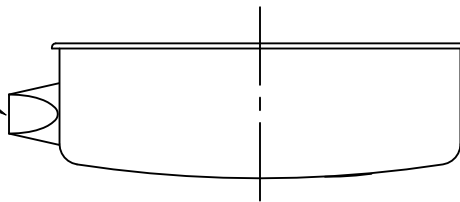
FILTER ELEMENT
VF80A



BODY ASSEMBLY
21571

WING BOLT ASSEMBLY
17520

EJECTION VALVE (NEW)
20440



CUP ASSEMBLY
18222

PART NO.	DESCRIPTION	NO. REQ.
21571	BODY ASSEMBLY	1
VF80A	FILTER ELEMENT	1
17480	WASHER	1
17517	WING BOLT ASSEMBLY (Includes #17480 WASHER)	1 1
18222	CUP ASSEMBLY	1
20440	EJECTION VALVE (NEW)	1

VORTEX AIR TECHNOLOGY, INC.
CLAREMONT, CALIFORNIA

AU80K4