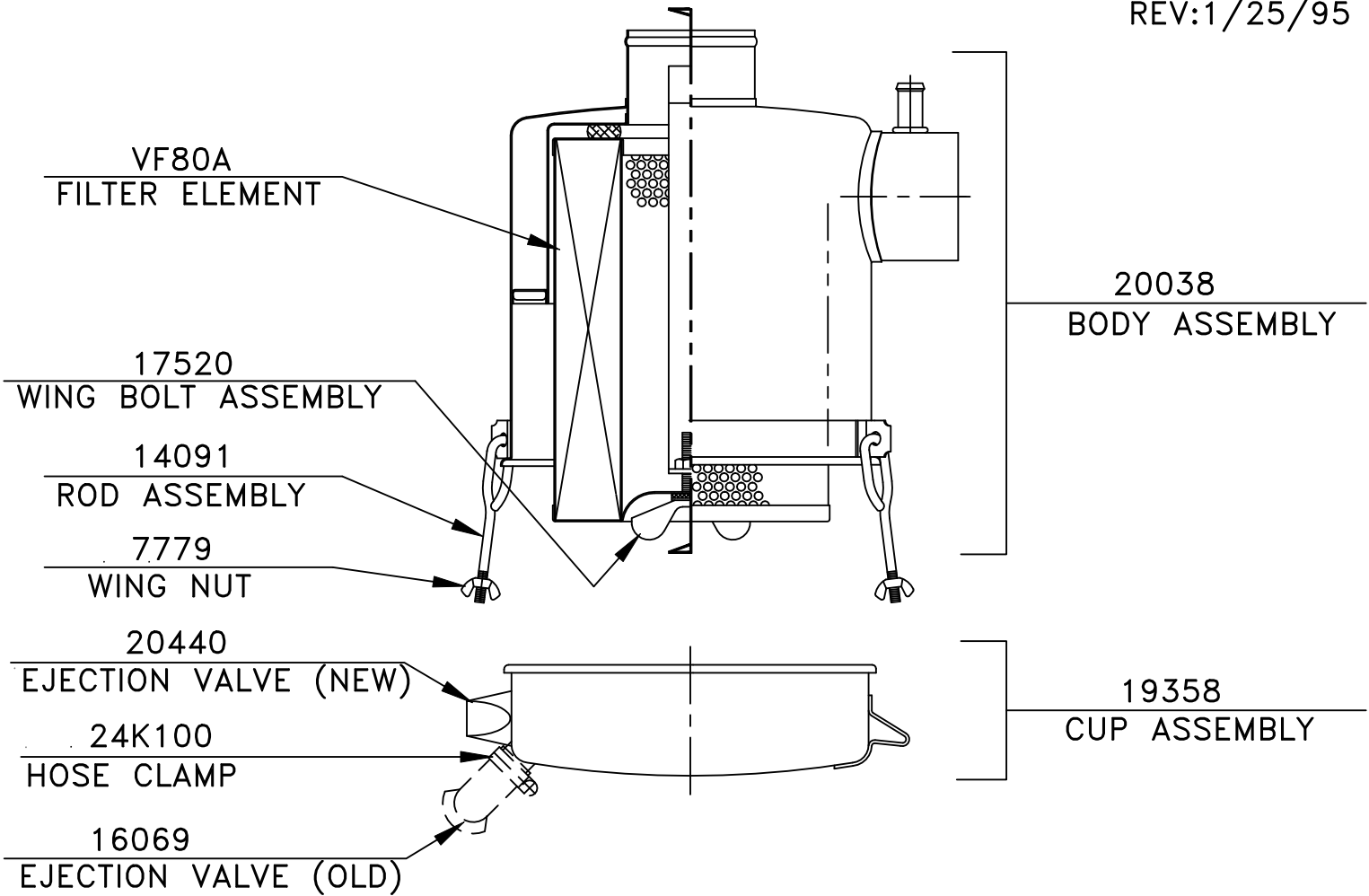


# SERVICE PARTS LIST

## VORTEX AIR CLEANER

MODEL NO.  
**AU80F4**

REV:1/25/95



PART NO.	DESCRIPTION	NO. REQ.
20038	BODY ASSEMBLY	1
VF80A	FILTER ELEMENT	1
17480	WASHER	1
17520	WING BOLT ASSEMBLY (Includes #17480 WASHER)	1
18290	ROD & BAND ASSEMBLY	1
14091	ROD ASSEMBLY	1
7779	WING NUT	1
19985	CUP	1
20440	EJECTION VALVE (NEW)	1
16720	EJECTION VALVE (OLD)	1
16069	EJECTION VALVE 16069	1
24K100	HOSE CLAMP 24K100	1

VORTEX AIR TECHNOLOGY, INC.  
CLAREMONT, CALIFORNIA

AU80F4