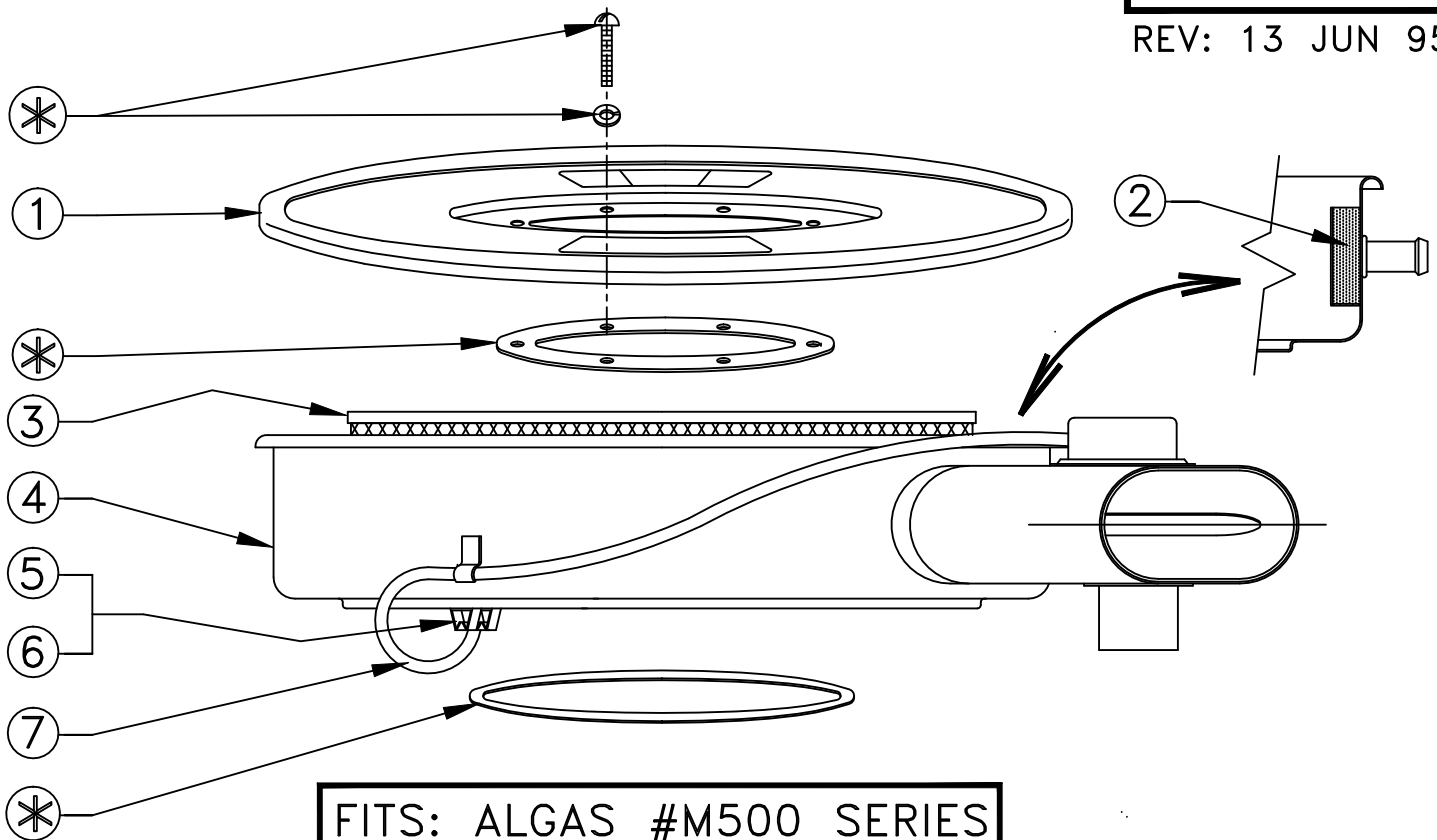


# SERVICE PARTS LIST VORTEX AIR CLEANER

MODEL NO.  
**ANP140C**

REV: 13 JUN 95



**FITS: ALGAS #M500 SERIES  
& IMPCO 300A MIXER**

NO.	PART NO.	PART NAME	NO. REQ'D
1	20843	LID ASSEMBLY	1
2	20704	BREATHER PAD (SERVICE AS NEEDED)	1
3	VF140V	FILTER ELEMENT	1
4	21046	BODY ASSEMBLY (NO FILTER ELEMENT)	1
5	21048	THERMAL SWITCH	1
6	21047	RETAINING CLIP	1
7	21053	VACUUM HOSE	1
*	21199	INSTALLATION KIT (ZIP-LOCK BAG)	
		INSTALLATION INSTRUCTIONS	1
		GASKET 6 HOLE CORK	1
		MACHINE SCREW	3
		WASHER 3/16 ID	3
		GASKET 7.6 ID CORK	1
		SERVICE CAUTION CARD	1

VORTEX AIR TECHNOLOGY, INC.  
CLAREMONT, CALIFORNIA

**ANP140C**