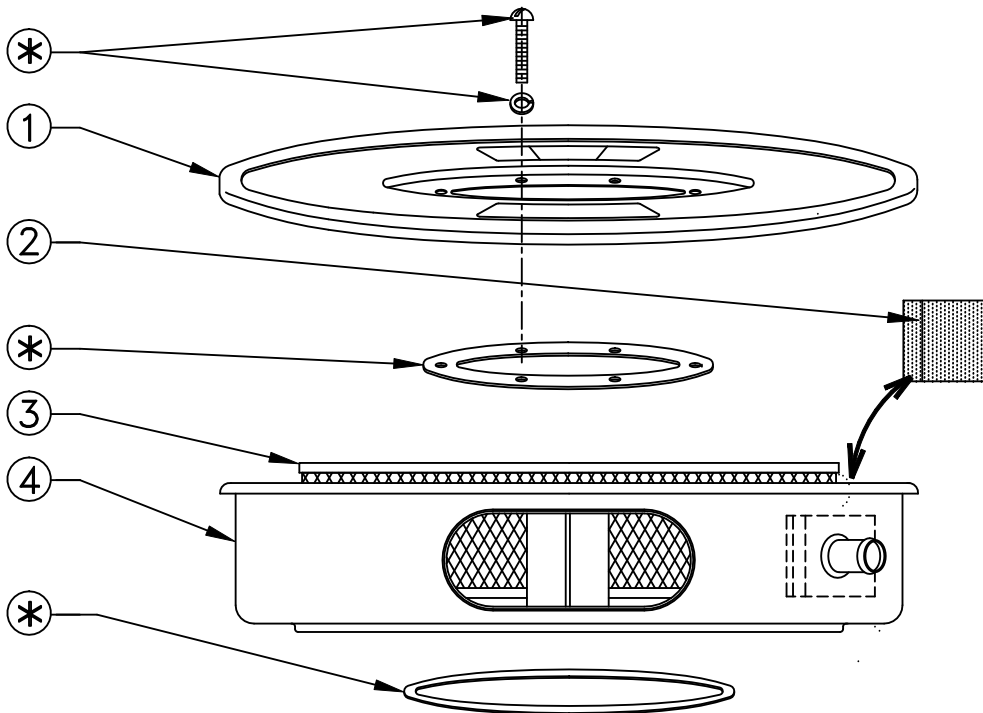


SERVICE PARTS LIST VORTEX AIR CLEANER

MODEL NO.
ANP140A

REV: 13 JUN 95



FITS: IMPCO 300A MIXER & ALGAS #M500 SERIES.

NO.	PART NO.	PART NAME	NO. REQ'D														
1	20843	LID ASSEMBLY	1														
2	20704	BREATHER PAD (SERVICE AS NEEDED)	1														
3	VF140V	FILTER ELEMENT	1														
4	20842	BODY ASSEMBLY (NO FILTER ELEMENT)	1														
*	21199	<table border="1" style="width: 100%; border-collapse: collapse;"> <tr> <td colspan="2" style="text-align: center;">INSTALLATION KIT (ZIP-LOCK BAG)</td> </tr> <tr> <td style="width: 80%;">INSTALLATION INSTRUCTIONS</td> <td style="text-align: center;">1</td> </tr> <tr> <td>GASKET 6 HOLE CORK</td> <td style="text-align: center;">1</td> </tr> <tr> <td>MACHINE SCREW</td> <td style="text-align: center;">3</td> </tr> <tr> <td>WASHER 3/16 ID</td> <td style="text-align: center;">3</td> </tr> <tr> <td>GASKET 7.6 ID CORK</td> <td style="text-align: center;">1</td> </tr> <tr> <td>SERVICE CAUTION CARD</td> <td style="text-align: center;">1</td> </tr> </table>	INSTALLATION KIT (ZIP-LOCK BAG)		INSTALLATION INSTRUCTIONS	1	GASKET 6 HOLE CORK	1	MACHINE SCREW	3	WASHER 3/16 ID	3	GASKET 7.6 ID CORK	1	SERVICE CAUTION CARD	1	
INSTALLATION KIT (ZIP-LOCK BAG)																	
INSTALLATION INSTRUCTIONS	1																
GASKET 6 HOLE CORK	1																
MACHINE SCREW	3																
WASHER 3/16 ID	3																
GASKET 7.6 ID CORK	1																
SERVICE CAUTION CARD	1																

ANP140A

VORTEX AIR TECHNOLOGY, INC.
CLAREMONT, CALIFORNIA