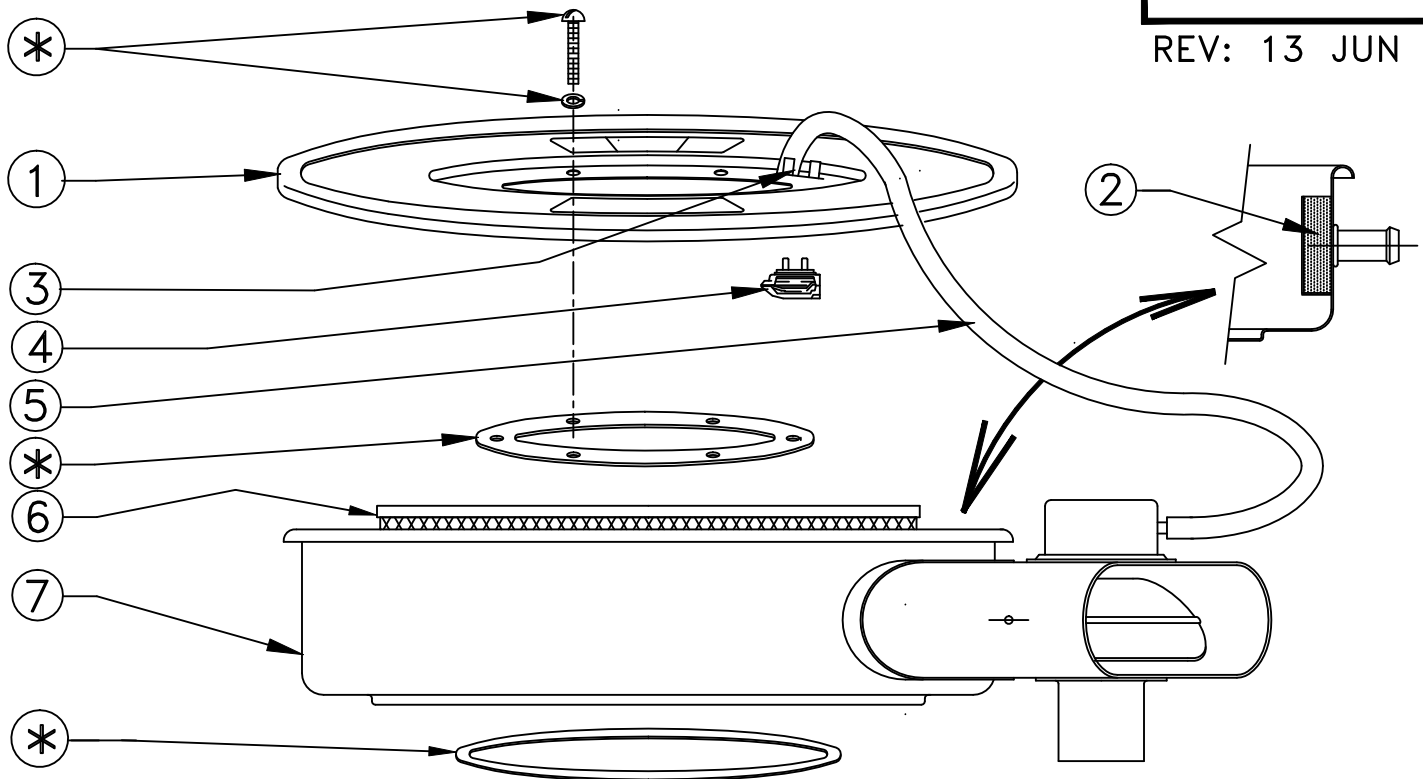


SERVICE PARTS LIST VORTOX AIR CLEANER

MODEL NO.
ANP120C

REV: 13 JUN 95



**FITS: IMPCO 300A MIXER
& ALGAS #M500 SERIES.**

NO.	PART NO.	PART NAME	NO. REQ'D
1	21148	LID ASSEMBLY	1
2	20704	BREATHER PAD (SERVICE AS NEEDED)	1
3	21047	RETAINER CLIP	1
4	21048	THERMAL VACUUM SWITCH	1
5	21053	VACUUM HOSE	1
6	VF120V	FILTER ELEMENT	1
7	21146	BODY ASSEMBLY (NO FILTER ELEMENT)	1
*	21199	INSTALLATION KIT (ZIP-LOCK BAG)	
		INSTALLATION INSTRUCTIONS	1
		GASKET 6 HOLE CORK	1
		MACHINE SCREW	3
		WASHER 3/16 ID	3
		GASKET 7.6 ID CORK	1
		SERVICE CAUTION CARD	1

VORTOX AIR TECHNOLOGY, INC.
CLAREMONT, CALIFORNIA

ANP120C