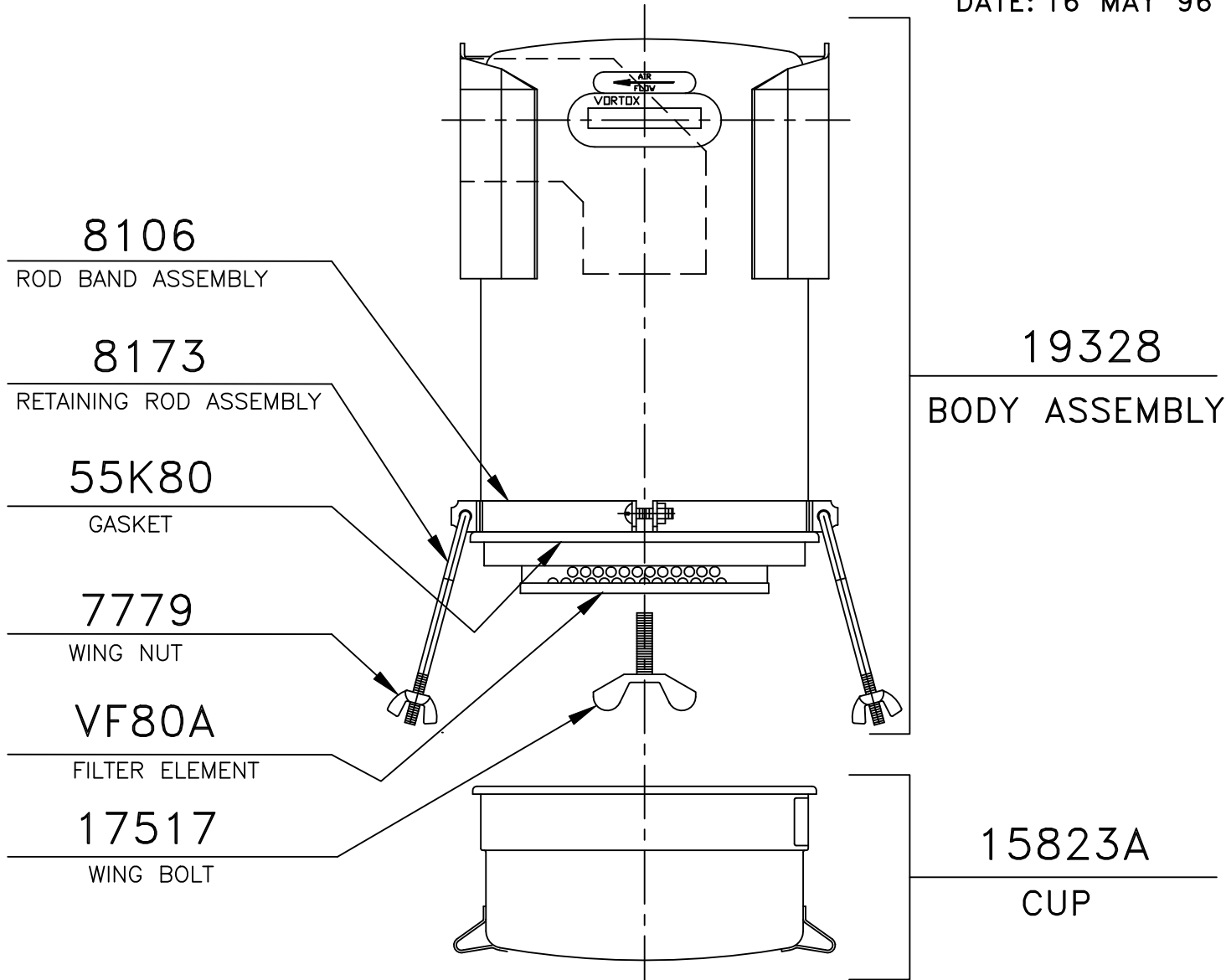


SERVICE PARTS LIST VORTEX AIR CLEANER ANA80D

MODEL NUMBER
ANA80D

DATE: 16 MAY 96



PART. NO.	PART NAME	NO. REQ'D
19328	BODY ASSEMBLY	1
8106	ROD BAND ASSEMBLY	1
8173	RETAINING ROD ASSEMBLY	2
7779	WING NUT	2
17517	WING BOLT	1
VF80A	FILTER ELEMENT	1
15823A	CUP	1
55K80	GASKET	1

VORTEX AIR TECHNOLOGY, INC.
CLAREMONT, CALIFORNIA

ANA80D