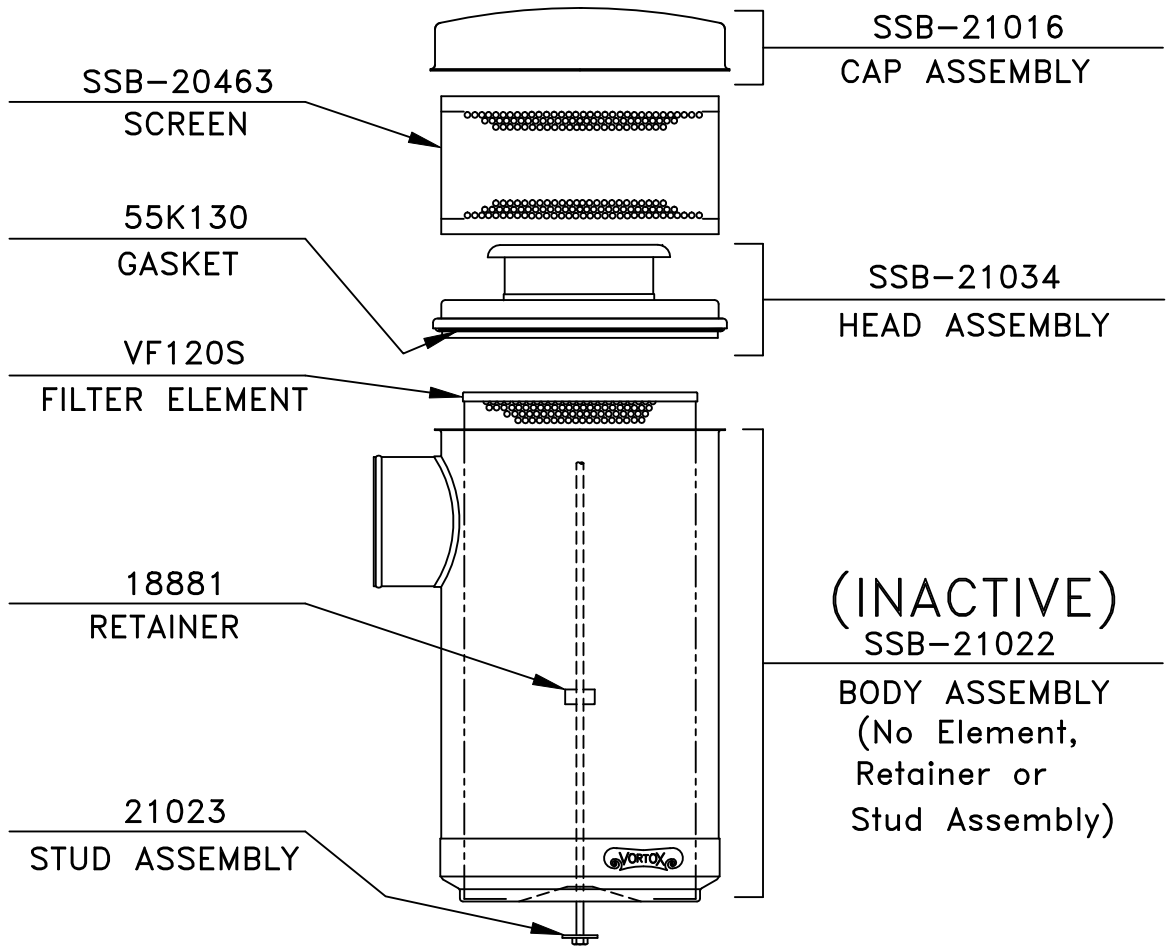


SERVICE PARTS LIST
VORTEX AIR CLEANER
STAINLESS STEEL
(BUFFED FINISH)

MODEL NUMBER

SSB-AN130G

REVISED: 11/07/00



PART NO.	DESCRIPTION	NO. REQ'D
SSB-21016	CAP ASSEMBLY	1
SSB-20463	SCREEN	1
SSB-21034	HEAD ASSEMBLY Includes 55K130 GASKET	1
55K130	GASKET	1
VF120S	FILTER ELEMENT	1
SSB-21022 (INACTIVE)	BODY ASSEMBLY (No Element, Retainer or Stud Assembly)	1
21023	STUD ASSEMBLY Includes 1K6 SS WASHER	1
18881	RETAINER	1

SSB-AN130G

VORTEX AIR TECHNOLOGY, INC.
CLAREMONT, CALIFORNIA