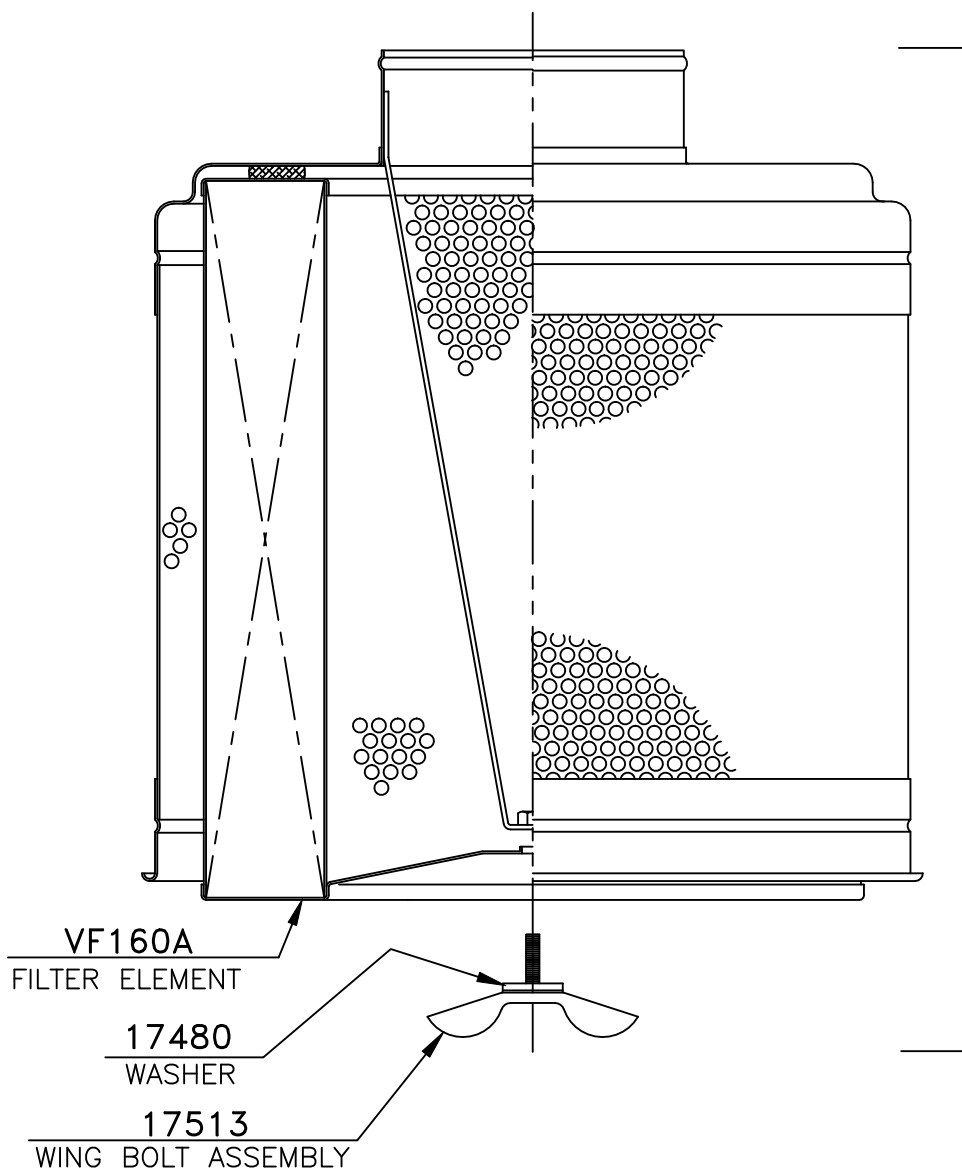


# SERVICE PARTS LIST CENTRIFAIR DRY AIR CLEANER

MODEL NO. <b>AN135H</b>
4/22/85

REV: 1/10/94



**19467**  
BODY ASSEMBLY

PART NO.	PART NAME	NO. REQ.
19467	BODY ASSEMBLY	1
VF160A	FILTER ELEMENT	1
17513	WING BOLT ASSEMBLY	1
17480	WASHER	1
19467A	BODY ASSEMBLY, less wing bolt, washer and filter element.	1

VORTEX AIR TECHNOLOGY, INC.  
CLAREMONT, CALIFORNIA

**AN135H**