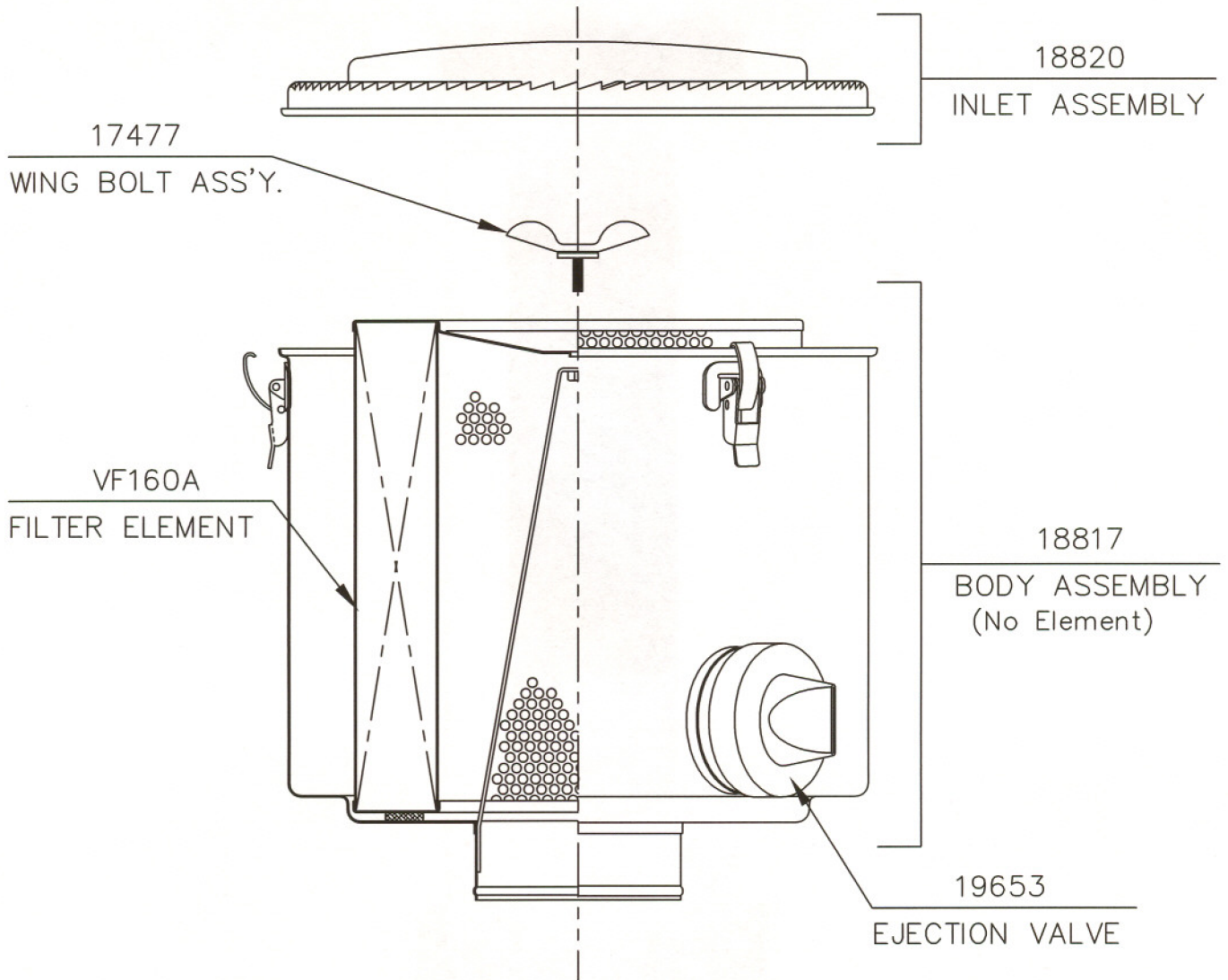


SERVICE PARTS LIST  
CENTRIFAIR DRY AIR CLEANER

MODEL NO.  
AD160Z7  
7/30/81  
REV: 06/03/97



PART NO.	PART NAME	NO. REQ.
18820	INLET ASSEMBLY	1
18817	BODY ASSEMBLY (No Element)	1
17477	WING BOLT ASS'Y. (With 17480 Washer)	1
VF160A	FILTER ELEMENT (With 17480 Washer)	1
19653	EJECTION VALVE	1

**Vortex Air Technology,  
Claremont, CA**

AD160Z7