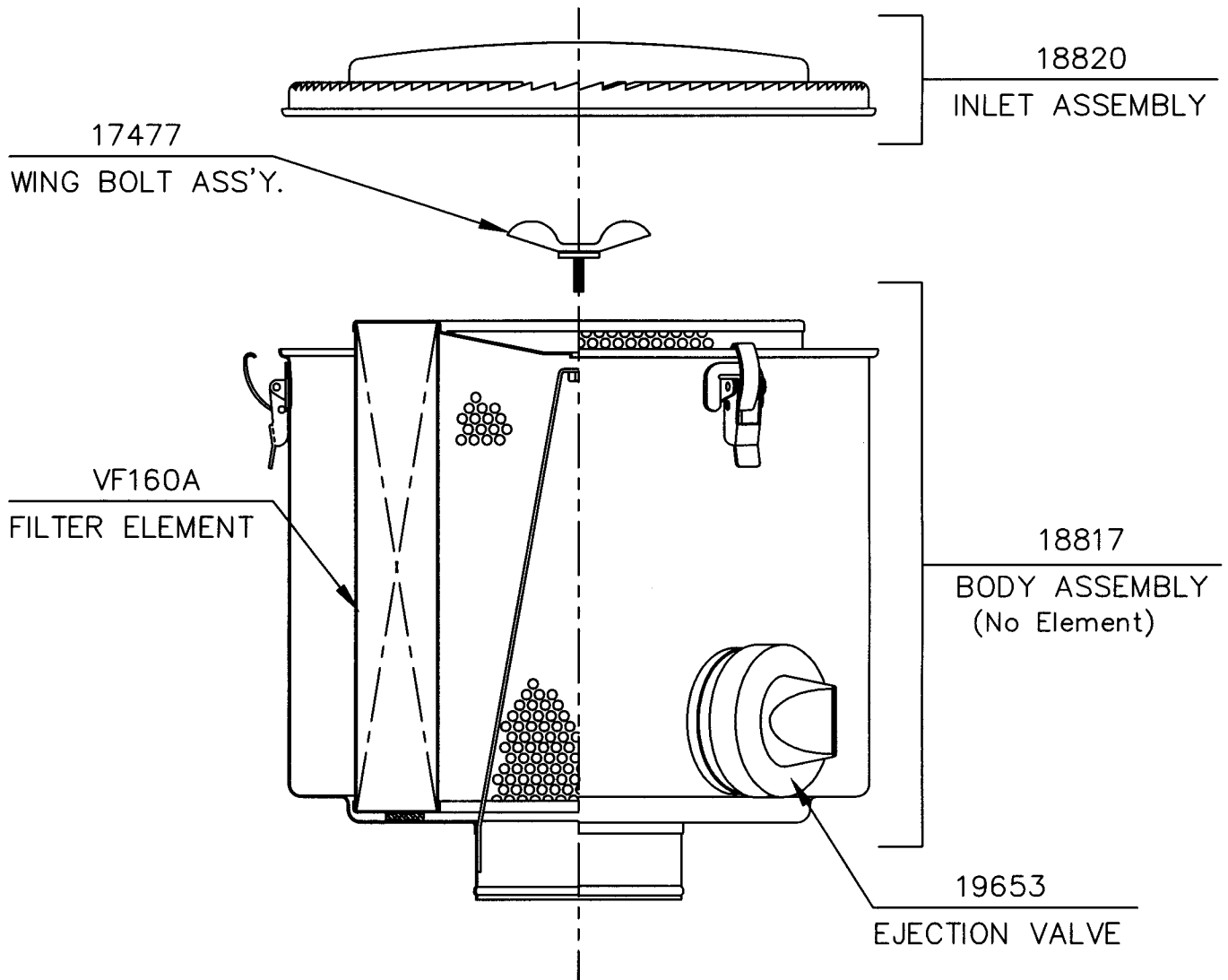


SERVICE PARTS LIST
CENTRIFAIR DRY AIR CLEANER

MODEL NO.
AD160Z7

7/30/81

REV: 06/03/97



PART NO.	PART NAME	NO. REQ.
18820	INLET ASSEMBLY	1
18817	BODY ASSEMBLY (No Element)	1
17477	WING BOLT ASS'Y. (With 17480 Washer)	1
VF160A	FILTER ELEMENT (With 17480 Washer)	1
19653	EJECTION VALVE	1

Vortex Air Technology
Claremont, Ca.

AD160Z7