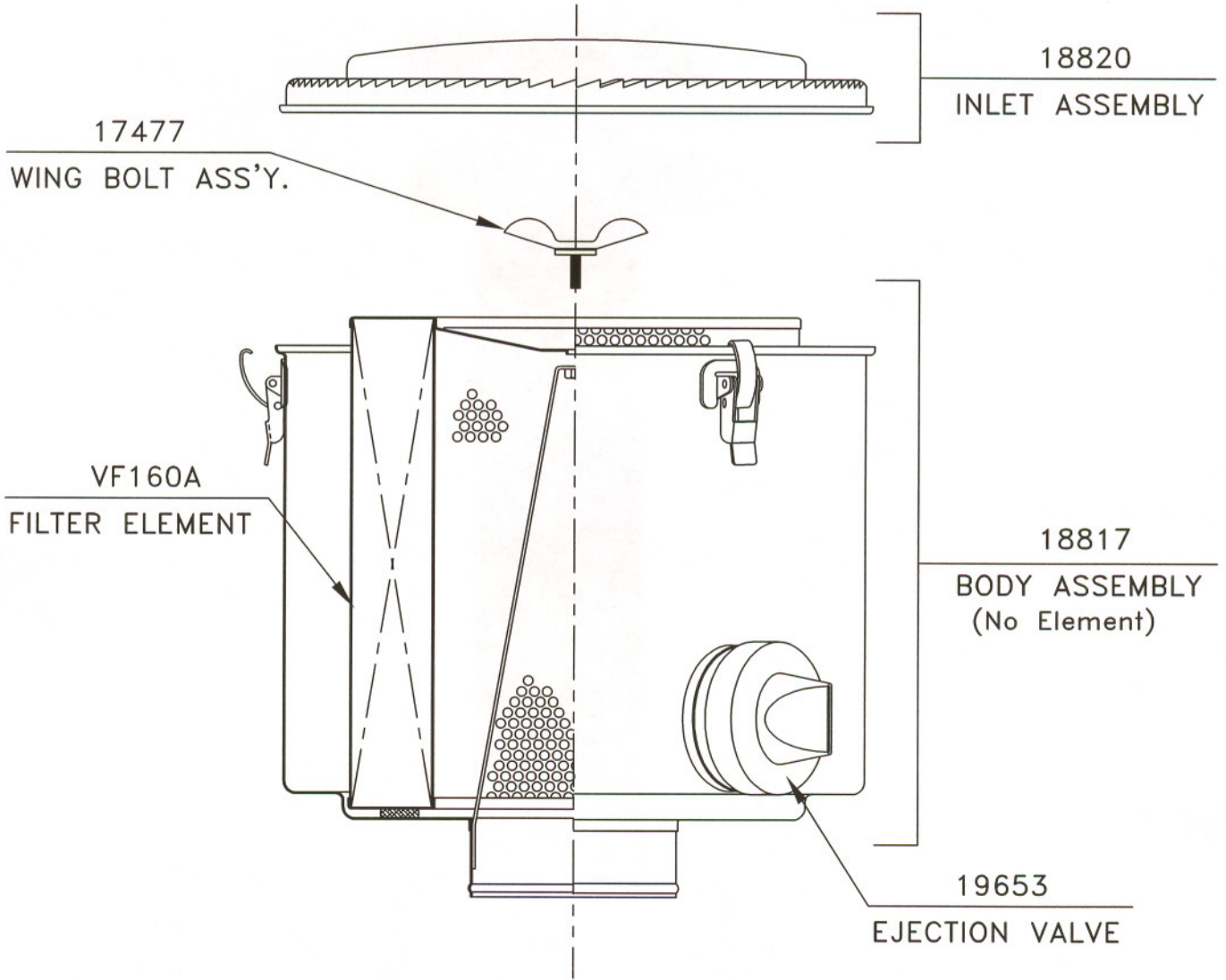


SERVICE PARTS LIST
CENTRIFAIR DRY AIR CLEANER

MODEL NO.
AD160Z7
7/30/81
REV:06/03/97



| PART NO. | PART NAME | NO. REQ. |
|----------|--------------------------------------|----------|
| 18820 | INLET ASSEMBLY | 1 |
| 18817 | BODY ASSEMBLY (No Element) | 1 |
| 17477 | WING BOLT ASS'Y. (With 17480 Washer) | 1 |
| VF160A | FILTER ELEMENT (With 17480 Washer) | 1 |
| 19653 | EJECTION VALVE | 1 |
| | | |
| | | |

VORTEX AIR TECHNOLOGY, INC
CLAREMONT, CALIFORNIA

AD160Z7