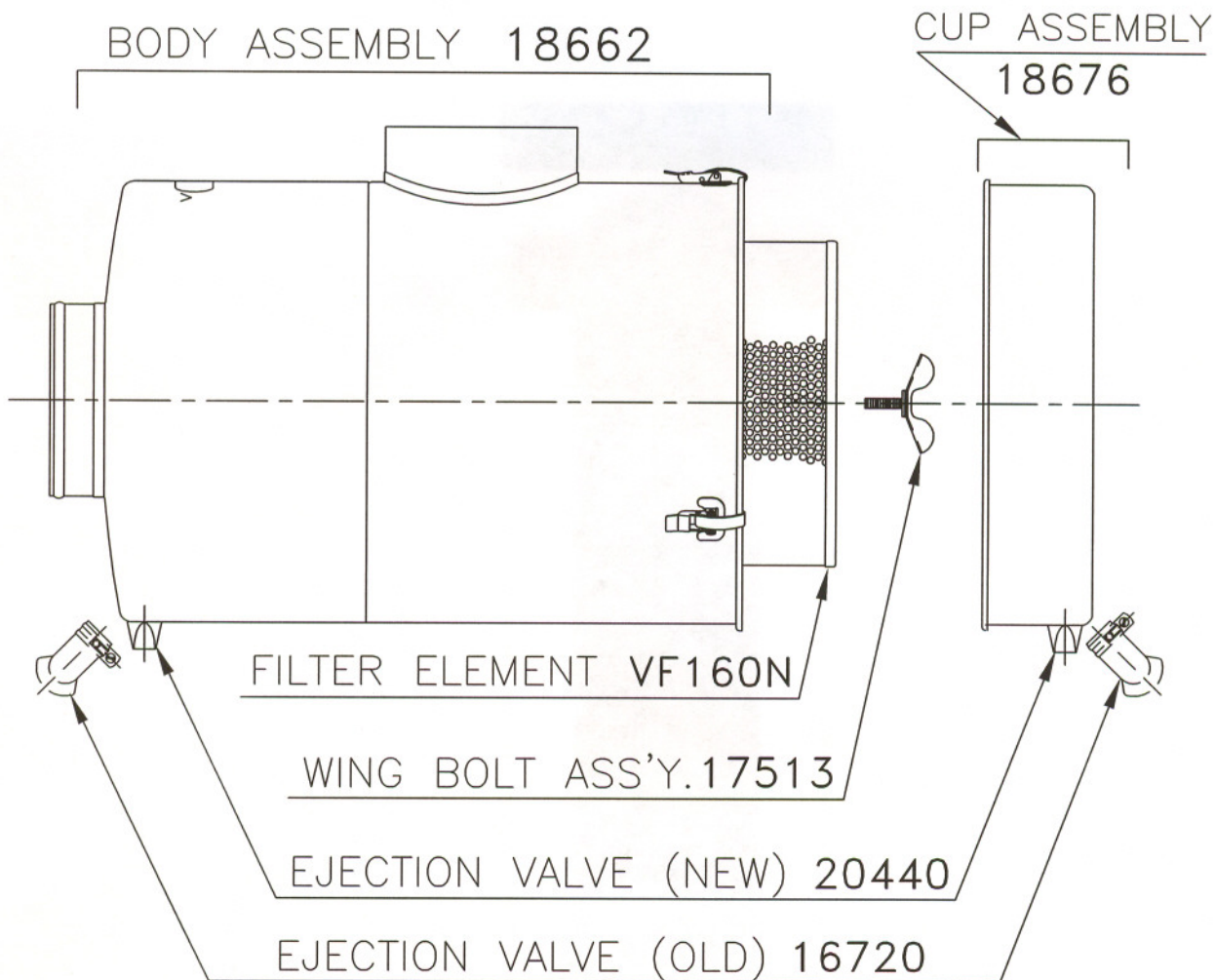


SERVICE PARTS LIST

MODEL NO.
AD160X4
REV:21 FEB 97



PART NO.	PART NAME	NO. REQ.
18676	CUP ASSEMBLY	1
17513	WING BOLT ASSEMBLY (With Washer)	1
VF160N	FILTER ELEMENT	1
18662	BODY ASSEMBLY (No Element)	1
20440	EJECTION VALVE (NEW)	2
16720	EJECTION VALVE ASSEMBLY (OLD)	2
	EJECTION VALVE #16069 HOSE CLAMP #24K100	1 EACH

VORTEX AIR TECHNOLOGY, INC
CLAREMONT CALIFORNIA

AD160X4