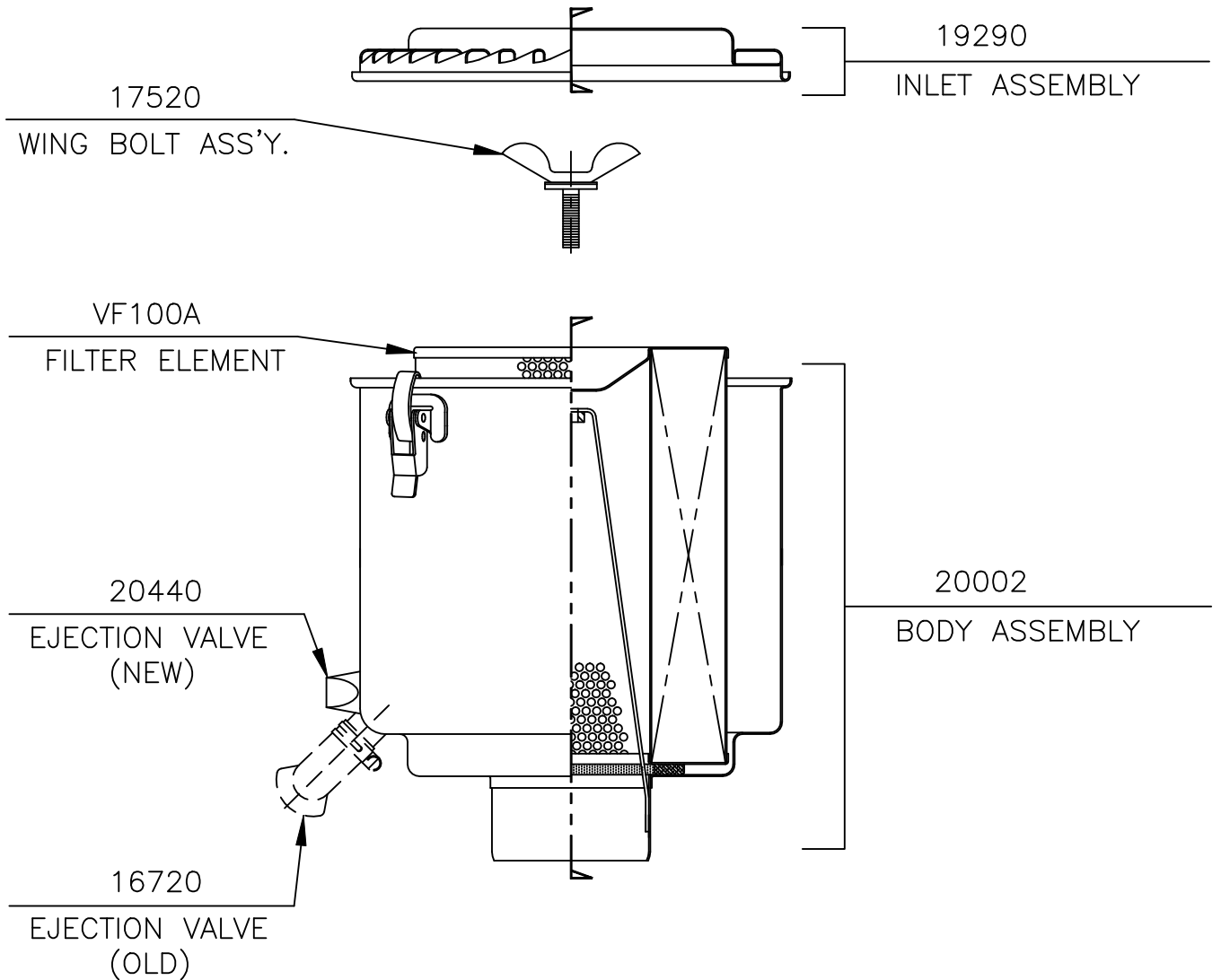


SERVICE PARTS LIST
 VORTEX AIR CLEANER AD100P4

MODEL NO.
AD100P4
 4/17/90

REV: 9/10/96



PART NO.	PART NAME	NO. REQ.
19290	INLET ASSEMBLY	1
17520	WING BOLT ASS'Y (with washer)	1
VF100A	FILTER ELEMENT	1
20002	BODY ASSEMBLY (no element)	1
20440	EJECTION VALVE (NEW)	1
16720	EJECTION VALVE ASSEMBLY (old)	1
	EJECTION VALVE #16069 HOSE CLAMP #24K100	1 EA.

VORTEX AIR TECHNOLOGY, INC.
 CLAREMONT, CALIFORNIA

AD100P4