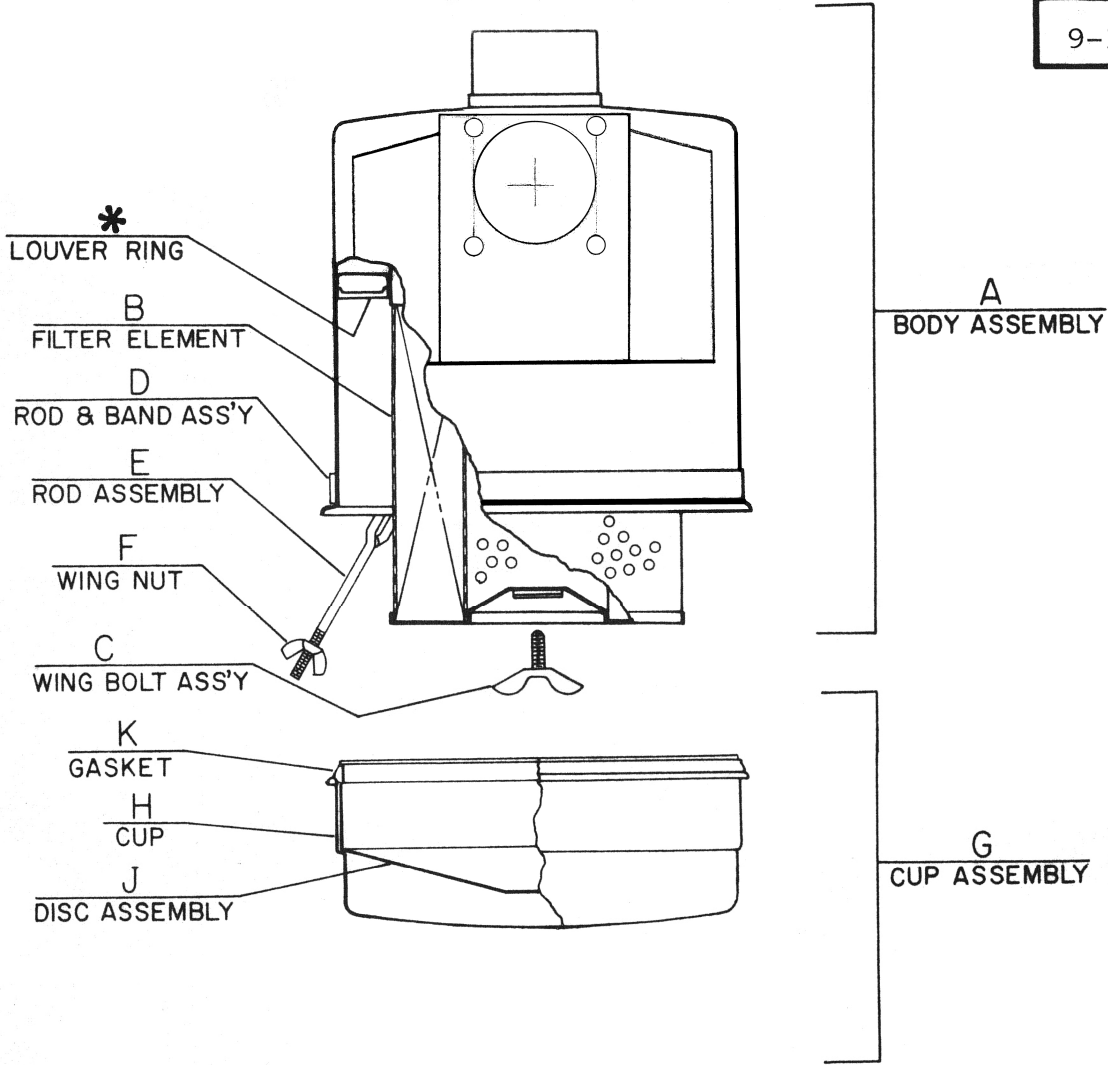


**SERVICE PARTS LIST
VORTEX AIR CLEANER MODEL ABA160B**

MODEL NO. ABA 160 B
9-18-86



	PART NO.	PART NAME	NO. REQUIRED
A	19239	BODY ASSEMBLY	1
B	VF160A	FILTER ELEMENT	1
	17480	WASHER	1
*	16049	LOUVER RING (Only removable on certain models)	1
C	17513	WING BOLT ASSY. (Includes #17480 Washer)	1
D	12110	ROD & BAND ASSEMBLY	1
E	9128	ROD ASSEMBLY	3
F	7779	WING NUT	3
G	16054A	CUP ASSEMBLY	1
H	16055A	CUP	1
J	16059A	DISC ASSEMBLY	1
K	55K160	GASKET	1

ABA 160 B