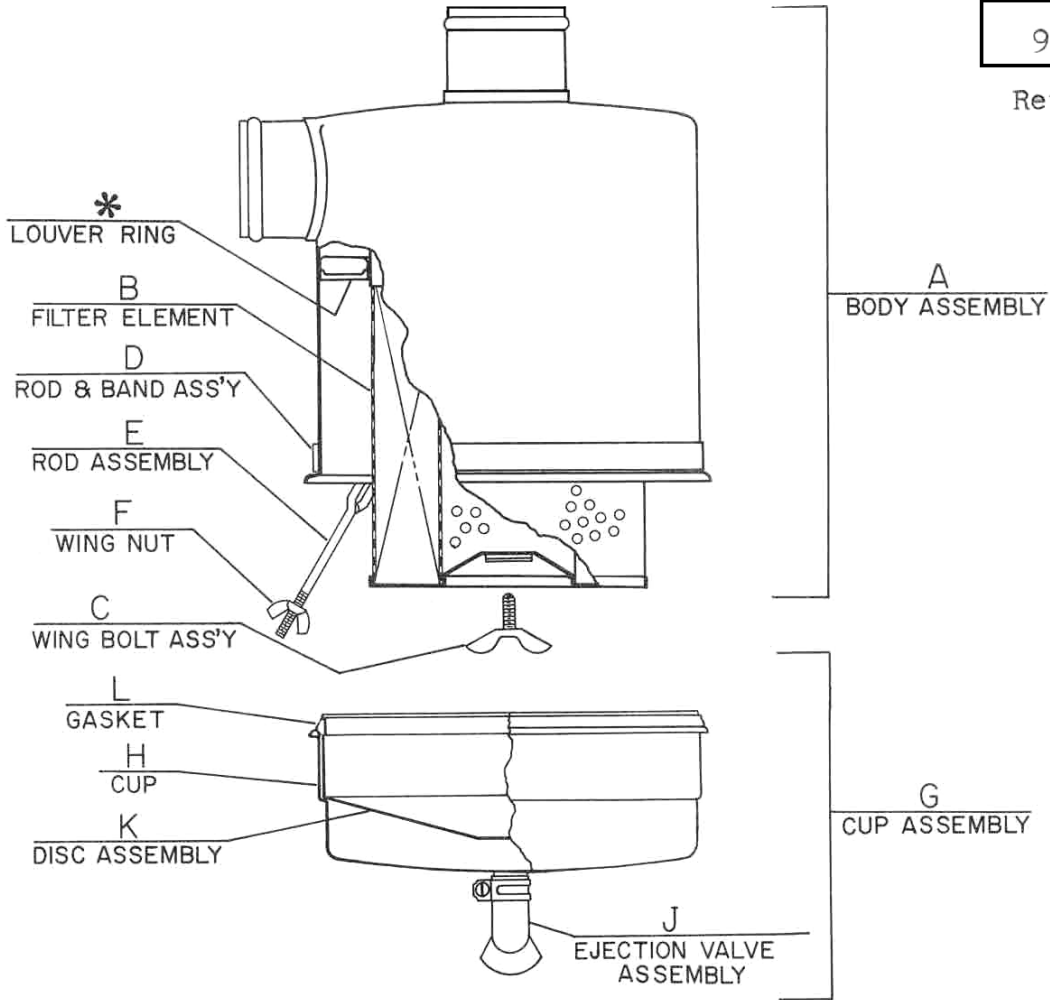


SERVICE PARTS LIST
VORTEX CENTRIFAIR DRY AIR CLEANER MODEL AB140F4

AB140F4
9-7-73

Revised



	PART NO.	PART NAME	NO. REQUIRED
A	17463	BODY ASSEMBLY	1
B	VF140A	FILTER ELEMENT	1
	17480	WASHER	1
*	16693	LOUVER RING (Only removable on certain models)	1
C	17513	WING BOLT ASSY. (Includes #17480 Washer)	1
D	16690	ROD & BAND ASSEMBLY	1
E	16247	ROD ASSEMBLY	3
F	7779	WING NUT	3
G	16735A	CUP ASSEMBLY	1
H	16742A	CUP	1
J	16720	EJECTION VALVE ASSEMBLY	1
	16069	EJECTION VALVE	1
	24K100	HOSE CLAMP	1
		SHIELD	
K	16721A	DISC ASSEMBLY	1
L	55K140	GASKET	1

AB140F4

VORTEX AIR TECHNOLOGY, INC.
 CLAREMONT, CA