

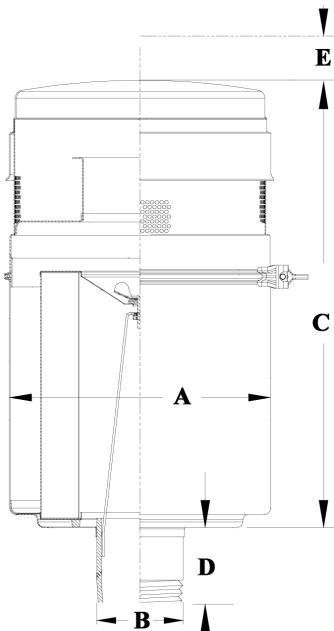
Direct Mount Air Cleaners



Vortex Air Technology, Inc.'s newest addition to our line of Truck Blower Air Cleaners offers the option of directly mounting the air cleaner to the blower with either 3" or 4" piping.

Direct Mount air cleaners are pressure only use and made with Electro Galvanized Carbon Steel, which is finished in a black polyester powder coat. Included with each air cleaner are two (2) mounting brackets in the same finish. Additionally, a washable internal foam precleaner, which reduces blower noise, comes standard with each Vortex Air Technology Truck Blower Air Cleaner. Filter servicing is achieved in three easy steps: removing the band clamp, lifting the top off, and removing the filter element.

Truck Blower Air Cleaners - Direct Mount



Model No.	CFM (ΔPr) at		A (In.)	B (In.)	C (In.)	D (In.)	E (In.)	Element No.	Net WT. LBS
	8" H ₂ O	12" H ₂ O							
AN135AW	425	490	13.51	3.50	23.41	4.00	3.85	VF140Z	45.00
AN135AX	660	825	13.51	4.50	23.41	4.00	3.85	VF140Z	45.00