

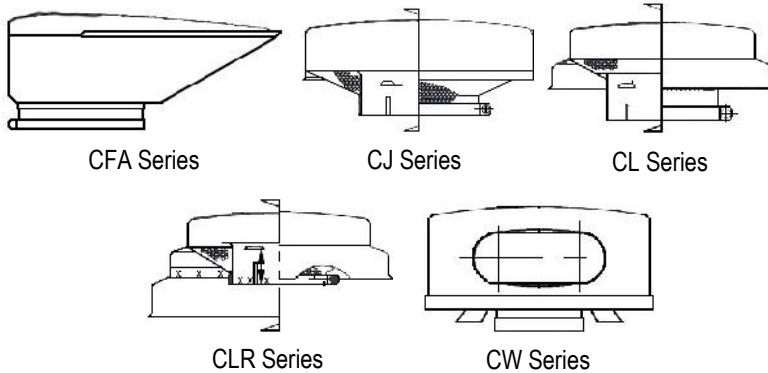
CS Inlet Caps



The CS series represents the original design of our line of Inlet Caps, which has evolved into the universal design and fit that customers seek. The CS style maintains a high standard of water protection while offering our most economical option. Select CS models are available in Stainless Steel and can be identified by the prefix "SSB."

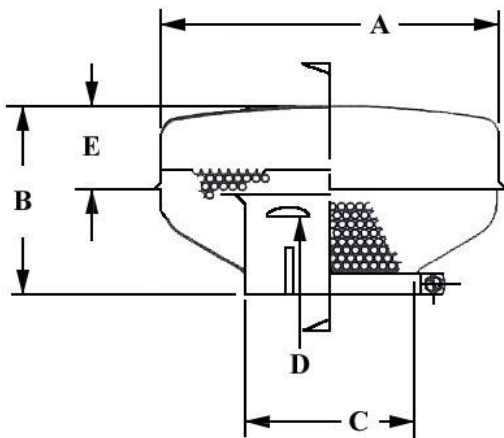
Vortex Air Technology Inlet Caps

Also Available:



Inlet Caps are an essential component in the protection of filter elements used in both dry and oil bath air cleaners. They function as a pre-filtering mechanism for the air cleaner, preventing large particles of debris from potentially harming the air cleaner and filter element in addition to shielding water ingress.

Inlet Caps - CS Series



SSB = Polished Stainless Steel

Model No.	A (mm.)	B (mm.)	C (mm.)	D (mm.)	E (mm.)	Net Wt. KG
6426	115.82	73.15	45.21	39.62	30.23	0.23
6427	115.82	71.37	51.56	36.57	30.23	0.23
6428	141.22	82.55	57.40	45.97	33.27	0.32
6429	141.22	81.03	63.75	44.45	33.27	0.32
CS256	141.22	81.03	65.53	44.45	33.27	0.32
CS300	177.80	109.47	76.71	35.03	50.80	0.54
CS350	177.80	106.43	89.41	47.75	50.80	0.54
CS400	204.72	114.30	102.11	47.75	52.32	0.77
CS450	242.57	122.17	114.81	47.75	63.50	0.91
CS500	242.82	122.17	127.76	47.75	63.50	0.99
CS550	306.32	120.65	140.46	47.75	50.80	1.81
CS550A	306.32	127.00	140.46	47.75	114.30	2.27
CS600	306.32	146.05	153.16	47.75	76.20	1.63
SSB-CS600	306.32	146.05	153.16	47.75	76.20	1.63
CS700	344.42	139.70	177.80	47.75	63.50	1.86
SSB-CS700	344.42	139.70	177.80	47.75	63.50	1.86
11206	306.32	152.40	177.80	47.75	76.20	1.72
SSB-11206	306.32	152.40	177.80	47.75	76.20	1.72