

BC Saddle Brackets

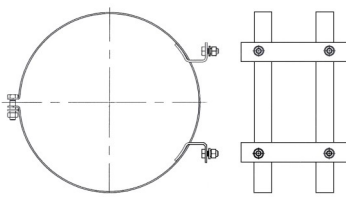


BC Saddle Brackets are comparable to the BA Saddle Brackets in design. All steel construction, four mounting bolts, and adjustable legs. The BC Saddle Bracket offers a larger distance between the mounted application and housing unit. Current models range from 6" to 12" in diameter. Customization available upon request.

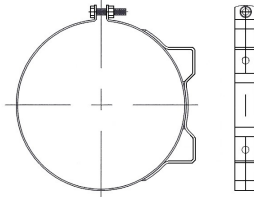
Vortex Air Technology Saddle Brackets

Vortex Air Technology Band and Saddle Brackets are designed to efficiently and securely hold your application in place. Built entirely with thick gauge steel, our Band and Saddle Brackets have the ability to support any application and stand the test of time. Customers have the option of choosing Carbon Steel or T304 Stainless Steel for construction material. Finishes are available in painted black powder coat or polished Stainless Steel. We welcome customization in band diameter and width (thickness), placement of mounting pilot holes and slots, and placement of band closure to avoid mounting difficulties due to obstructions.

Also available:

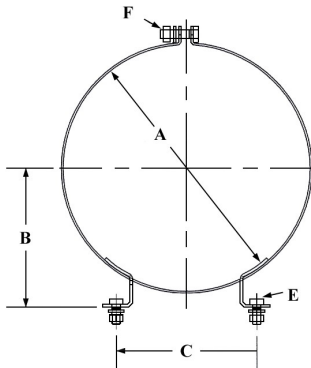


BA Saddle Brackets



BB Band Brackets

Saddle Brackets - BC Series



Model No.	A (In.)	B (In.)	C (In.)	D (In.)	E (In.)	F (In.)	G (In.)	H (In.)
BC60	6.12	4.00	3.50	1.88	5/16-18NC x 0.75	5/16-18NC x 1.25	0.75	2.50
BC65A	6.56	5.25	4.50	1.88	5/16-18NC x 0.75	5/16-18NC x 1.25	1.00	4.00
BC78	7.81	4.68	4.50	1.88	5/16-18NC x 0.75	5/16-18NC x 1.25	1.00	2.50
BC90	9.06	5.25	5.25	1.88	5/16-18NC x 0.75	5/16-18NC x 1.25	1.00	2.50
BC110	11.00	6.00	6.25	3.38	5/16-18NC x 0.75	5/16-18NC x 1.25	1.00	4.00
BC120	12.09	6.88	7.00	4.00	7/16-14NC x 1.00	5/16-18NC x 1.25	1.50	5.25

