

BB Band Brackets

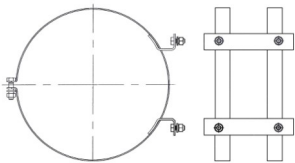


BB Band Brackets are a solid unit of steel expertly welded together and designed for a universal fit. Two pilot holes mount directly to any unit. Current models range in sizes from 127 mm to 457.20 mm in diameter, but variations can be created upon request. Further customization capabilities include: band width and metal gauge thickness for added strength and support, placement of mounting holes, and placement of band closure.

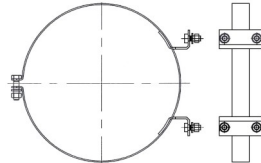
Vortex Air Technology Band Brackets

Vortex Air Technology Band and Saddle Brackets are designed to efficiently and securely hold your application in place. Built entirely with thick gauge steel, our Band and Saddle Brackets have the ability to support any application and stand the test of time. Customers have the option of choosing Carbon Steel or T304 Stainless Steel for construction material. Finishes are available in painted black powder coat or polished Stainless Steel. We welcome customization in band diameter and width (thickness), placement of mounting pilot holes and slots, and placement of band closure to avoid mounting difficulties due to obstructions.

Also available:

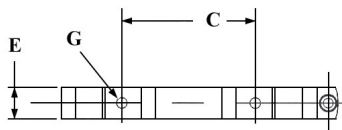
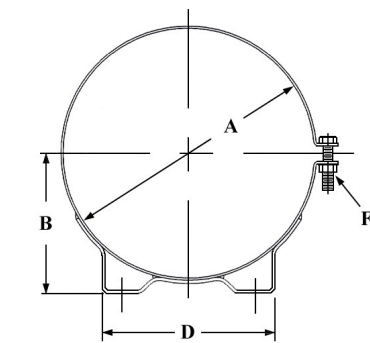


BA Saddle Brackets



BC Saddle Brackets

Band Brackets - BB Series



SSB = Polished Stainless Steel

Model No.	A (mm.)	B (mm.)	C (mm.)	D (mm.)	E (mm.)	F (in.)	G (mm.)
BB50B	128.27	88.90	63.50	101.60	25.40	5/16-18NC x 1.25	8.64
BB55A	141.22	88.90	82.55	123.95	25.40	5/16-18NC x 1.50	8.64
BB55B	141.73	88.14	82.55	123.95	25.40	5/16-18NC x 1.50	8.64
BB60	155.45	95.50	82.55	123.69	25.40	5/16-18NC x 1.50	8.64
BB63	159.00	97.28	95.25	123.95	25.40	5/16-18NC x 1.25	8.64
BB65	166.62	101.60	95.25	123.95	25.40	5/16-18NC x 1.50	8.64
SSB-BB65	166.62	101.60	95.25	123.95	25.40	5/16-18NC x 1.50	8.64
BB73	185.67	104.65	107.95	136.65	25.40	5/16-18NC x 1.25	8.64
BB80	203.96	114.30	107.95	139.70	25.40	5/16-18NC x 1.50	8.64
BB85	215.90	120.65	107.95	139.70	25.40	5/16-18NC x 1.50	8.64
BB100	255.52	146.05	152.40	180.85	31.75	5/16-18NC x 1.50	10.41
BB110	279.40	158.75	152.40	180.85	31.75	5/16-18NC x 1.50	10.41
BB120	307.09	171.45	152.40	180.85	31.75	5/16-18NC x 1.50	10.41
BB120G	307.09	237.49	152.40	207.26	31.75	5/16-18NC x 1.50	10.41
BB130D	330.20	177.80	203.20	241.30	38.10	5/16-18NC x 1.75	11.94
BB135	345.19	184.15	203.20	241.30	38.10	5/16-18NC x 1.50	11.94
SSB-BB135	345.19	184.15	203.20	241.30	38.10	5/16-18NC x 1.50	11.94
BB140	357.88	184.15	203.20	241.30	38.10	5/16-18NC x 1.50	11.94
SSB-BB140	357.88	184.15	203.20	241.30	38.10	5/16-18NC x 1.50	11.94
BB150	382.52	203.20	203.20	241.30	38.10	5/16-18NC x 1.75	11.94
SSB-BB150	382.52	203.20	203.20	241.30	38.10	5/16-18NC x 1.75	11.94
BB160	407.92	215.90	254.00	292.10	38.10	5/16-18NC x 1.75	11.94
SSB-BB160	407.92	215.90	254.00	292.10	38.10	5/16-18NC x 1.75	11.94
BB180	458.72	241.30	292.10	248.41	38.10	5/16-18NC x 1.75	11.94