

AU Dry Air Cleaner



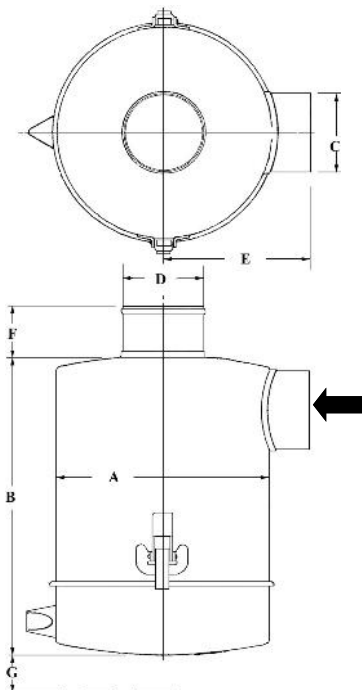
AU style air cleaners are designed to meet the needs of moderate to heavy dust applications where horizontal mounting is required. AU styles are multistage air cleaners where a vertically mounted inlet tube and horizontal outlet tube are required. All AU style air cleaners are designed for outdoor use.

AU style air cleaners are constructed of Electro Galvanized Carbon Steel and finished in a black powder coating. Rigid and durable steel construction provides long product life and years of continuous service in severe environments such as the oh-highway, stationary engine, industrial, compressor, generator set, and irrigation industries.

Vortox Air Technology Dry Air Cleaners

Vortox Air Technology Dry Air Cleaners are designed to protect your equipment and keep it performing to maximum efficiency. Superbly engineered and constructed to offer an extended service life of each replaceable filter element by utilizing a design philosophy which maximizes restriction losses. In addition to the distinguishing rugged construction, Vortox Air Technology air cleaners also utilize Deep Draw Technology, which creates a seamless unit where possible.

Dry Air Cleaners - AU Series



* Ejection Valve Included

Model No.	CFM at		A (In.)	B (In.)	C (In.)	D (In.)	E (In.)	F (In.)	G (In.)	Element No.	Net Wt. LBS
	8 In. H ₂ O	12 In. H ₂ O									
AU53A4*	125	154	5.38	12.25	2.00	2.00	3.75	1.19	4.00	VF53A	3.50
AU80A4*	250	310	8.03	11.38	3.00	3.00	5.50	2.00	7.00	VF80A	9.50
AU80F4*	250	310	8.03	11.38	3.00	3.00	5.50	2.00	7.00	VF80A	9.50
AU80G4*	128	220	8.03	11.38	3.00	2.50	5.50	2.00	7.00	VF80A	9.50
AU80H4*	250	310	8.03	11.38	3.00	3.00	5.50	2.00	7.00	VF80A	9.50
AU80J4*	250	310	8.03	11.38	3.00	3.00	5.50	1.00	7.00	VF80M	9.50
AU80K4*	250	310	8.03	11.38	3.00	3.00	5.50	2.68	7.00	VF80A	9.50
AU80L4*	250	310	8.03	11.38	3.00	3.00	5.50	2.00	7.00	VF80A	9.50
AU100A4*	430	530	10.06	12.00	4.00	4.00	7.00	2.00	7.50	VF100A	11.50
AU100D4*	430	530	10.06	12.00	4.00	4.00	7.00	2.00	7.50	VF100A	11.50
AU100H4*	324	407	10.06	12.00	4.00	3.50	7.00	3.00	7.50	VF100A	13.00
AU120A4*	550	660	12.06	13.19	5.00	5.00	8.00	2.50	7.00	VF120A	17.00
AU120B4*	520	650	12.06	13.19	5.00	4.00	8.00	2.50	7.00	VF120A	17.00
AU140A4*	665	850	14.06	13.75	5.50	5.50	9.00	2.50	7.25	VF140A	22.50
AU140B4*	665	850	14.06	13.75	5.50	5.50	9.00	2.50	7.25	VF140A	22.50
AU160A4*	925	1160	16.06	15.88	5.50	6.00	10.12	2.50	6.00	VF160A	30.00
AU160C4*	920	1150	16.06	15.88	5.50	5.50	10.12	2.50	6.00	VF160A	30.00
AU160E4*	920	1150	16.06	15.88	5.50	5.50	10.12	2.50	6.00	VF160A	30.00
AU160F4*	920	1150	16.06	15.87	5.50	5.50	10.12	2.50	6.00	VF160A	29.00

