



VORTOX AIR TECHNOLOGY, INC.

AU Dry Air Cleaner



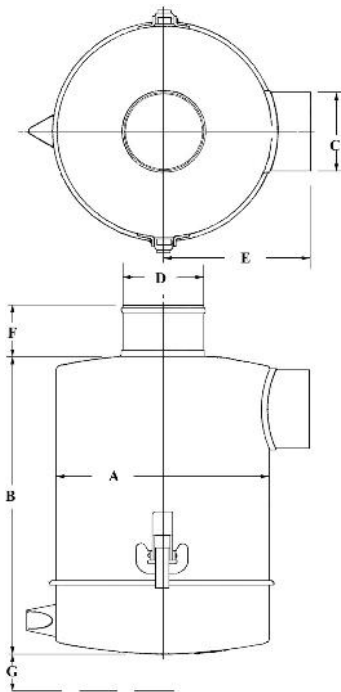
AU style air cleaners are designed to meet the needs of moderate to heavy dust applications where horizontal mounting is required. AU styles are multistage air cleaners where a vertically mounted inlet tube and horizontal outlet tube are required. All AU style air cleaners are designed for outdoor use.

AU style air cleaners are constructed of Electro Galvanized Carbon Steel and finished in a black powder coating. Rigid and durable steel construction provides long product life and years of continuous service in severe environments such as the oh-highway, stationary engine, industrial, compressor, generator set, and irrigation industries.

Vortox Air Technology Dry Air Cleaners

Vortox Air Technology Dry Air Cleaners are designed to protect your equipment and keep it performing to maximum efficiency. Superbly engineered and constructed to offer an extended service life of each replaceable filter element by utilizing a design philosophy which maximizes restriction losses. In addition to the distinguishing rugged construction, Vortox Air Technology air cleaners also utilize Deep Draw Technology, which creates a seamless unit where possible.

Dry Air Cleaners - AU Series



* Ejection Valve Included

Model No.	m ³ /h at		A (mm.)	B (mm.)	C (mm.)	D (mm.)	E (mm.)	F (mm.)	G (mm.)	Element No.	Net Wt. KG
	002. MPa H ₂ O	003. MPa H ₂ O									
AU53A4*	212	261	136.65	311.15	50.80	50.80	95.25	30.23	101.60	VF53A	1.59
AU80A4*	424	526	203.96	289.05	76.20	76.20	139.70	50.80	177.80	VF80A	4.31
AU80F4*	424	526	203.96	289.05	76.20	76.20	139.70	50.80	177.80	VF80A	4.31
AU80G4*	217	373	203.96	289.05	76.20	63.50	139.70	50.80	177.80	VF80A	4.31
AU80H4*	424	526	203.96	289.05	76.20	76.20	139.70	50.80	177.80	VF80A	4.31
AU80J4*	424	526	203.96	289.05	76.20	76.20	139.70	25.40	177.80	VF80M	4.31
AU80K4*	424	526	203.96	289.05	76.20	76.20	139.70	68.07	177.80	VF80A	4.31
AU80L4*	424	526	203.96	289.05	76.20	76.20	139.70	50.80	177.80	VF80A	4.31
AU100A4*	730	691	255.52	304.80	101.60	101.60	177.80	50.80	190.50	VF100A	5.22
AU100D4*	730	1121	255.52	304.80	101.60	101.60	177.80	50.80	190.50	VF100A	5.22
AU100H4*	550	1104	255.52	304.80	101.60	88.90	177.80	76.20	190.50	VF100A	5.89
AU120A4*	934	1121	306.32	335.03	127.00	127.00	203.20	63.50	177.80	VF120A	7.71
AU120B4*	883	1104	306.32	335.03	127.00	101.60	203.20	63.50	177.80	VF120A	7.71
AU140A4*	1129	1444	357.12	349.25	139.70	139.70	228.60	63.50	184.15	VF140A	10.21
AU140B4*	1129	1444	357.12	349.25	139.70	139.70	228.60	63.50	184.15	VF140A	10.21
AU160A4*	1571	1970	407.92	403.35	139.70	152.40	257.05	63.50	152.40	VF160A	13.61
AU160C4*	1563	1953	407.92	403.35	139.70	139.70	257.05	63.50	152.40	VF160A	13.61
AU160E4*	1563	1953	407.92	403.35	139.70	139.70	257.05	63.50	152.40	VF160A	13.61
AU160F4*	1563	1953	407.92	403.10	139.70	139.70	257.05	63.50	152.40	VF160A	13.15



www.vortox.com



F-3118
01-12-15